

TV and location lights

Studio Panel MKII

The Studio Panel MKII is a compact, lightweight LED luminaire designed for both studio and location use. Available with a high TLCI rating in tunable white 3200-5600K or fixed whites 3200K and 5600K.

Requiring just 50 watts, these luminaires operate on AC or DC voltage. The battery power input allows location operation using industry standard batteries. Additional holographic diffuser accessories provide beam angle control with minimal light loss.

Product data



Features and benefits

- Compact lightweight design.
- 50 degree beam angle.
- 8 or 16-bit control from any DMX512-A control source.
- Local rotary control for intensity.
- Variable version features 9 built-in color temperature presets including 3200K and 5600K.
- Variety of additional accessories.
- Battery or mains operated.
- Three year limited warranty.

Source	LED
Wattage	43W 41W 30W
Color temperature	3200K 5600K 3200-5600K
TLCI	94
Beam angle	50°
Lens size	–
Color filter size	–
Dimming	Local DMX 8 or 16-bit
Operating voltage	100-240VAC 12-24VDC (battery power)
Frequency	50/60Hz
Current draw	0.8A (max) @ 115V 0.4A (max) @ 230V
Power consumption	50W (max)
Ambient temperature	0-40°C
Cooling	Natural convection
Humidity	5-95% non-condensing
IP rating	IP20
Finish	Black
Construction	Die-cast aluminium
Dimensions H x W x D	300 x 545 x 66mm (11.8 x 21.5 x 2.6in)
Weight	2.3kg (5lbs)
Warranty	3 years

Product data

Philips Selecon Studio Panel MKII

Color temp	TLCI	Wattage	Beam	Overall dimensions W x H x D	Weight	Order Code
3200-5600K	94	30W	50°	300 x 545 x 66mm (11.8 x 21.85 x 2.6in)	2.3kg (5lb)	PLSTUPNL-TW-03 MKII
3200K	94	43W	50°	300 x 545 x 66mm (11.8 x 21.85 x 2.6in)	2.3kg (5lb)	PLSTUPNL-3200-03 MKII
5600K	94	41W	50°	300 x 545 x 66mm (11.8 x 21.85 x 2.6in)	2.3kg (5lb)	PLSTUPNL-5600-03 MKII

Accessories

	Order Code
2 leaf snap on barndoor	PLSTUPNLBD
40° standard spread lens	PLSTUPNLL40
60° Standard spread lens	PLSTUPNLL60
Front mount accessory holder / adapter ring	PLSTUADPTRG
Pistol grip handle	PLSTUPGH
16mm (5/8in) female stud adapter	PLSTUPNLSAF
16mm (5/8in) male stud adapter	PLSTUPNLSAM
Anton Bauer Gold Series battery mount	PLSTUABBH
V-lock style battery mount	PLSTUVLBH
1m AC input cable powerCON to bare ends	PC1BE
3m AC input cable powerCON to bare ends	PC3BE
8m AC input cable powerCON to bare ends	PC8BE

Photometry

Studio-Panel-MK II-CW

► Photometric Data

Light source specifications

Optics: PMMA
 Beam angle: 50 degree
 Light distribution: symmetric direct illumination
 CRI: 91

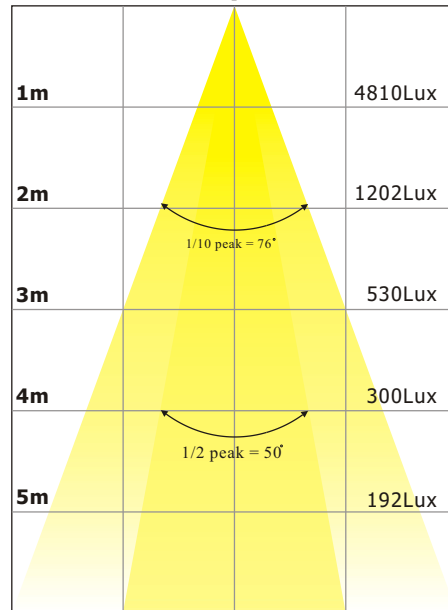
Illuminance

DISTANCE	1m	2m	3m	5m
COLOR	Lux	Lux	Lux	Lux
5600K	4810	1202	530	192

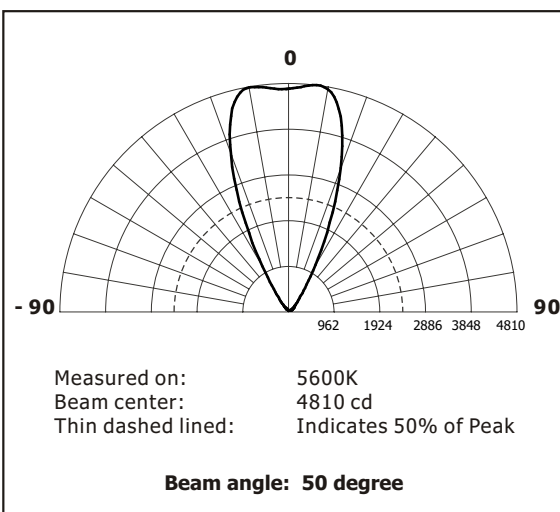
Light output

COLOR	Total (lumens)	Power(watts)	Efficacy(lm/W)
5600K	3584	43.2	82.9

Full intensity in 5600K

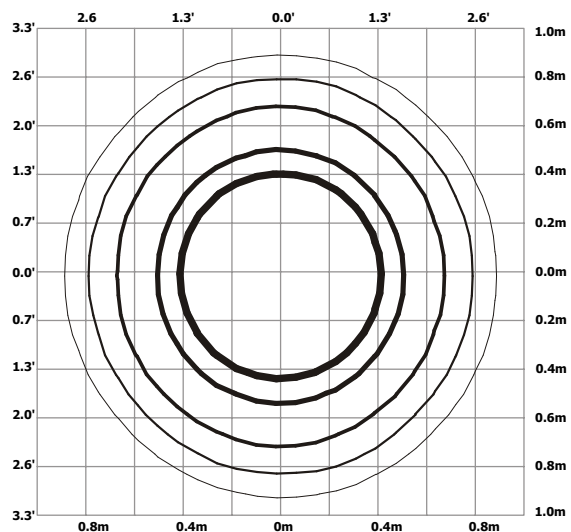


Light distribution



IES file is also available

Isolux diagram



At 1m distance

- 3% 141.7lx
- 5% 236.2lx
- 10% 472.3lx
- 30% 1417 lx
- 50% 2362lx

Photometry

Studio-Panel-MK II-TW

► Photometric Data

Light source specifications

Optics: PMMA
 Beam angle: 50 degree
 Light distribution: symmetric direct illumination
 CRI: 95

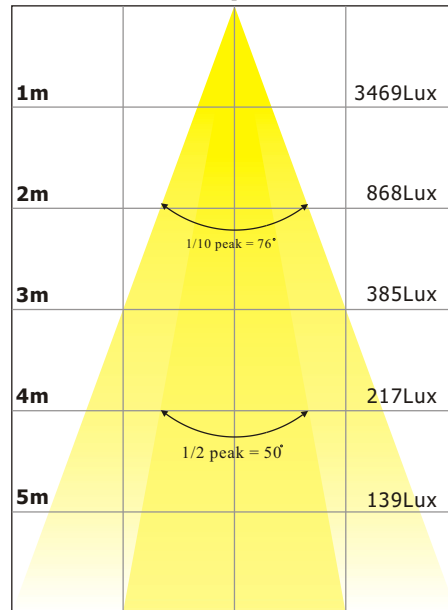
Illuminance

COLOR	DISTANCE	1m	2m	3m	5m
	Lux	Lux	Lux	Lux	Lux
3200K		1759	440	195	70
4200K		3469	868	385	139
5600K		1850	460	206	74

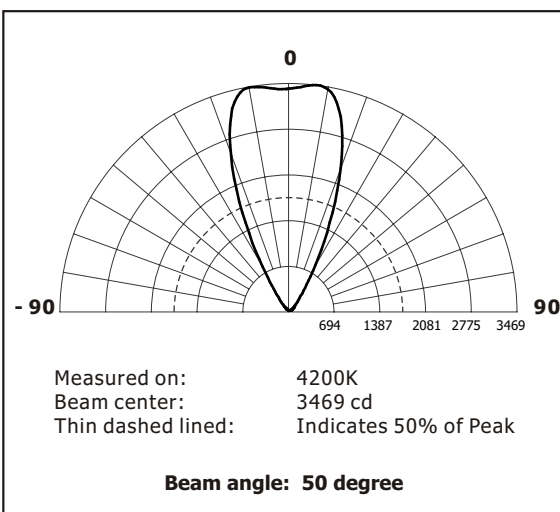
Light output

COLOR	Total (lumens)	Power(watts)	Efficacy(lm/W)
3200K	1234	17.6	70.2
4200K	2459	30.8	79.8
5600K	1311	17.4	75.3

Full intensity in 4200K

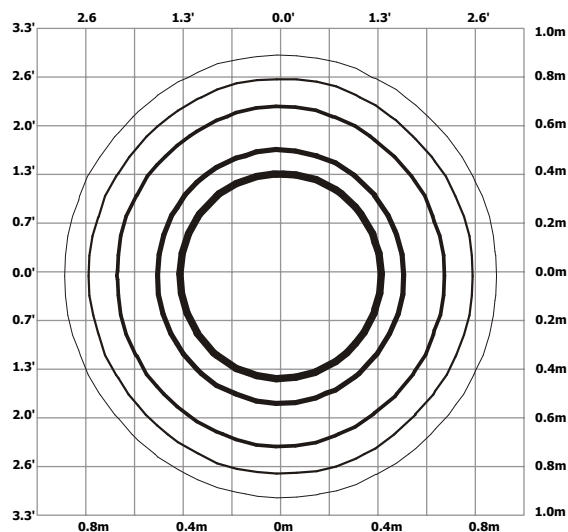


Light distribution



IES file is also available

Isolux diagram



At 1m distance

- 3% 104.1lx
- 5% 173.5lx
- 10% 346.9lx
- 30% 1041lx
- 50% 1734lx

Photometry

Studio-Panel-MK II-WW

▶ Photometric Data

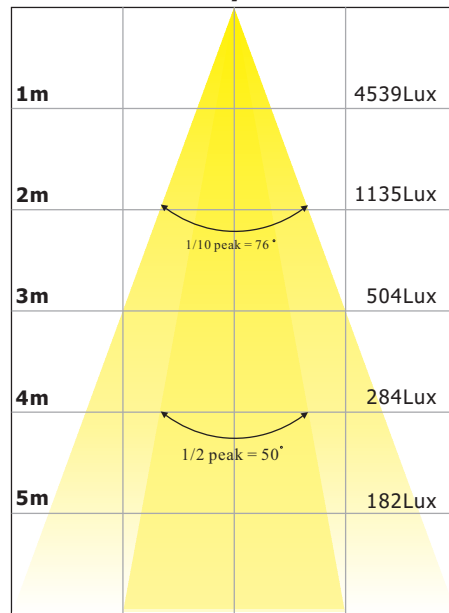
Light source specifications

Optics: PMMA
 Beam angle: 50 degree
 Light distribution: symmetric direct illumination
 CRI: 91

Illuminance

DISTANCE	1m	2m	3m	5m
COLOR	Lux	Lux	Lux	Lux
3200K	4539	1135	504	181

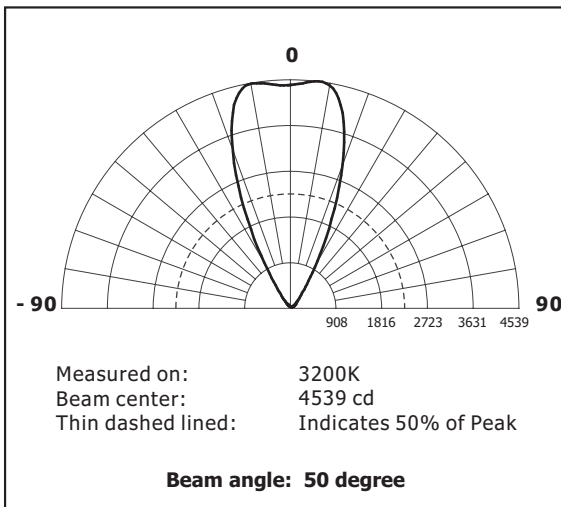
Full intensity in 3200K



Light output

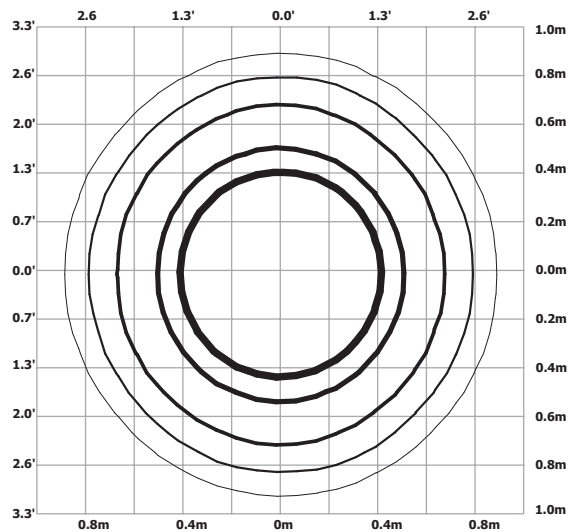
COLOR	Total (lumens)	Power(watts)	Efficacy(lm/W)
3200K	3218	41.8	76.9

Light distribution



IES file is also available

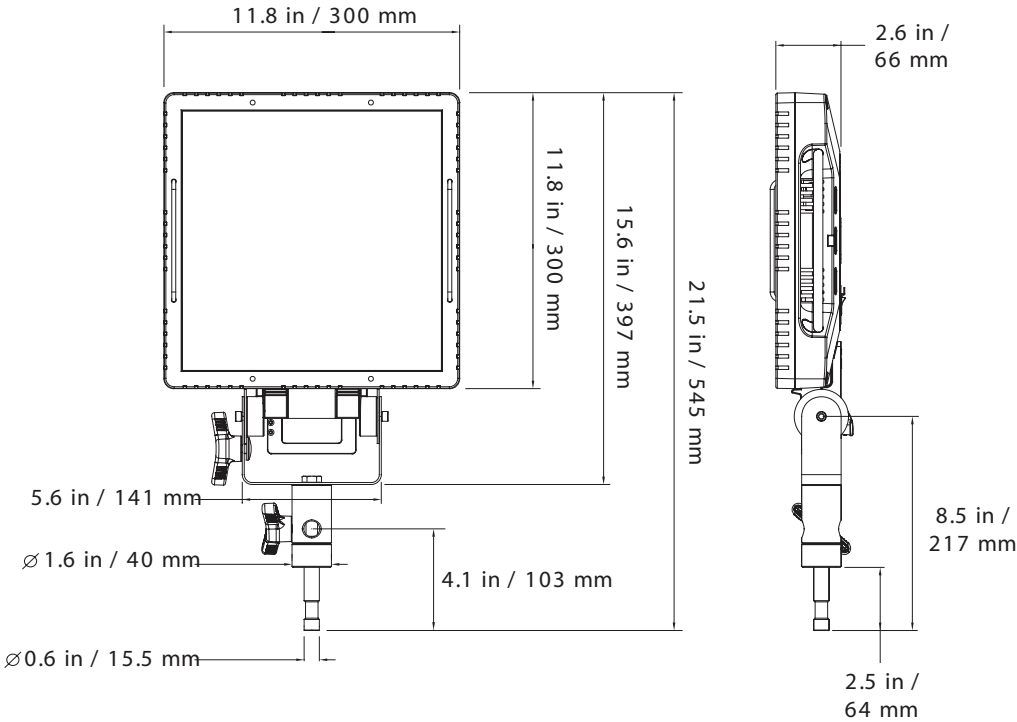
Isolux diagram



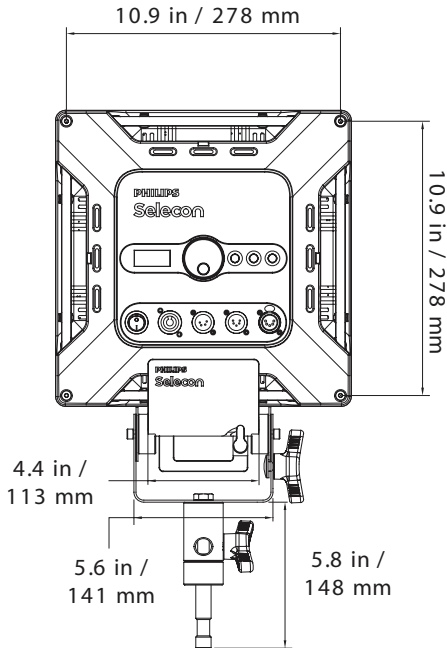
At 1m distance

- 3% 136.2lx
- 5% 226.9lx
- 10% 453.9lx
- 30% 1362lx
- 50% 2269lx

Dimensional drawing



Note: Shown with supplied stud adapter installed. This adapter is removable.





© Philips Lighting Holding B.V. 2016. All rights reserved. Philips reserves the right to make changes in specification and/or to discontinue any product at any time without notice or obligation and will not be liable for any consequences resulting from the use of this publication.

www.selecon.com

01/2017

Data subject to change.