

FX Projector

Product code:
P178X001A

Last update:
10/05/2023



FX Projector

Introducing

● This is a projector designed for dynamic projections in architecture, characterized by fluid movements of two interchangeable animation wheels. It is available with 4 different optics (19°, 26°, 36°, 50°). In addition to the animated wheels you can insert one other fixed gobo so as to create endless custom effects for your projects (Fire, Water and Boreal effects etc.). Thanks to all these key features this product is always a step ahead of the classic animation wheels.

Key Features



● Daylight COB LED



● Create vivid, dynamic 3D lighting effects



● Two interchangeable animation wheels + gobo holder



● 4 fan different settings: Silent, Studio, Auto, DMX Regulated

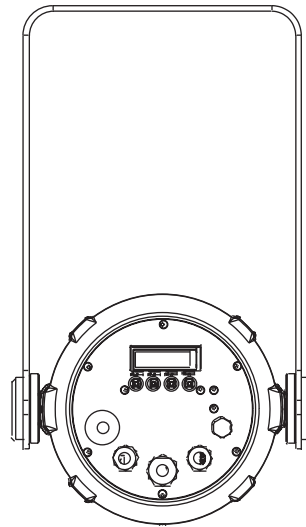
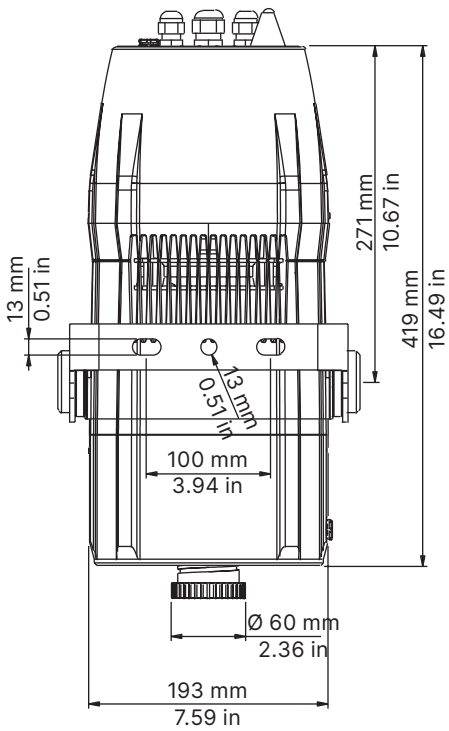
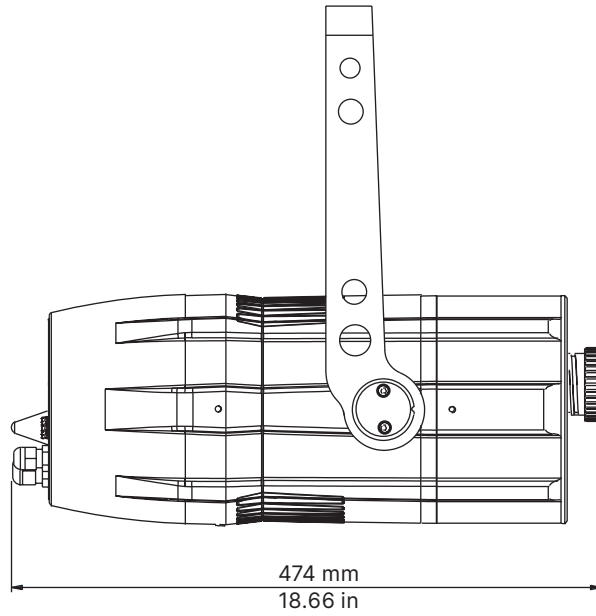
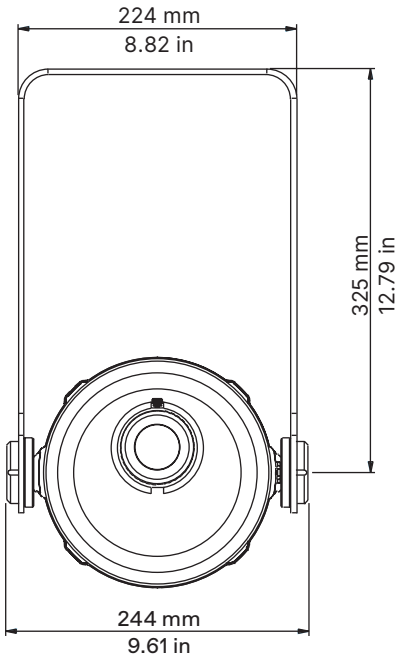


● IP65 rated for outdoor use



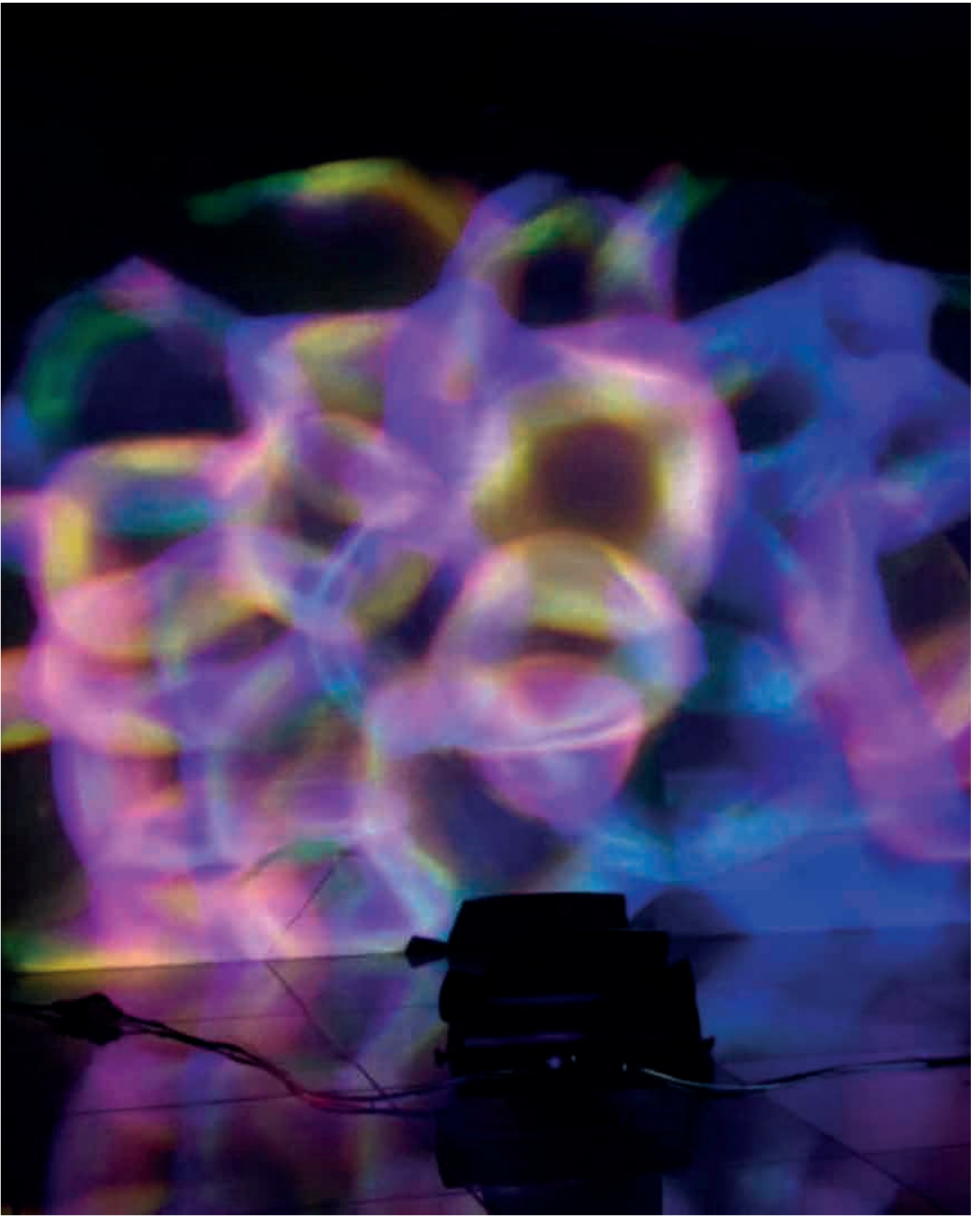
● DMX/RDM control

General	
● LED Source	Daylight COB LED
● CCT Range	●●●●● Fixed White at 11.000 K
● Dimming	8 or 16 bit, 5 selectable curves: Exponential, Logarithmic, Linear, Halo and Standard
● Dimming Smooth Selection	Fast, Slow and Very Slow
● Strobe	Pulse electronic strobe
● Available Optics	Wide range of available lenses - 4 optics available (19°, 26°, 36°, 50°)
● Focus	Yes
● Effects	2 overlapping animation wheels for dynamic effects
● Camera flicker control/Hz range	Yes, from 600 Hz to 20.000Hz
● Electronics Type	Guaranteed flicker-free
● L80 Rating (hours to 80% output)	50.000 Hours
● Pattern projection	Yes, two animation wheels + one fixed gobo
● Pattern size	Animation Wheels: size B Fixed Gobos: Outside diameter= 26 mm / 1.02 in, Max image diameter= 22 mm / 0.86 in
Electrical	
● Voltage Input	90-230 V, 50/60 Hz, auto-sensing
● Power Consumption	160 W Maximum - 0.75 A @ 230 V, 1.48 A @ 115 V - cosφ: 0.94
● Stand-By Power	3 W
● Power Connection	Internal cable without power plug
● Data Connection	Flying In and Out DMX 5 pin locking XLR connectors IP65
Thermal	
● Ambient Operating Temperature	-40° - +40°C (-40° - + 104° F)
● Cooling	Yes, 4 different settings: Silent, Studio, Auto, DMX Regulated
Control	
● Protocols	DMX512A, RDM (Remote Device Management)
● RDM configuration	Yes
● DMX Channels	8 / 4
● Display	Graphic OLED
● Software upload	Through DMX input (With RDM interface code AC10011A001)
Physical	
● Mounting options	Yoke
● Materials	Die-cast aluminum
● Weight	9.5 Kg / 20.94 lbs
● Length	474 mm / 18.66 in
● Height	325 mm / 12.79 in
● Width	244 mm / 9.61 in
● IP Rating	IP65
● Color options	Black (standard), custom color on request (optional)
● Accessories	Customized gobos on request
Optics	
BC078A000	Lens Tube 19° FX Projector
BC078A001	Lens Tube 26° FX Projector
BC078A002	Lens Tube 36° FX Projector
BC078A003	Lens Tube 50° FX Projector
General accessories	
BC078A004	Side fixing bracket FX Projector (necessary for vertical effects and fire effect)
BC078A010	Fire Effect gobos Kit FX Projector
BC078A011	Blue water Effect gobos Kit FX Projector
BC078A013	Transparent water Effect gobos Kit FX Projector
BC078A012	Boreal Effect gobos Kit FX Projector

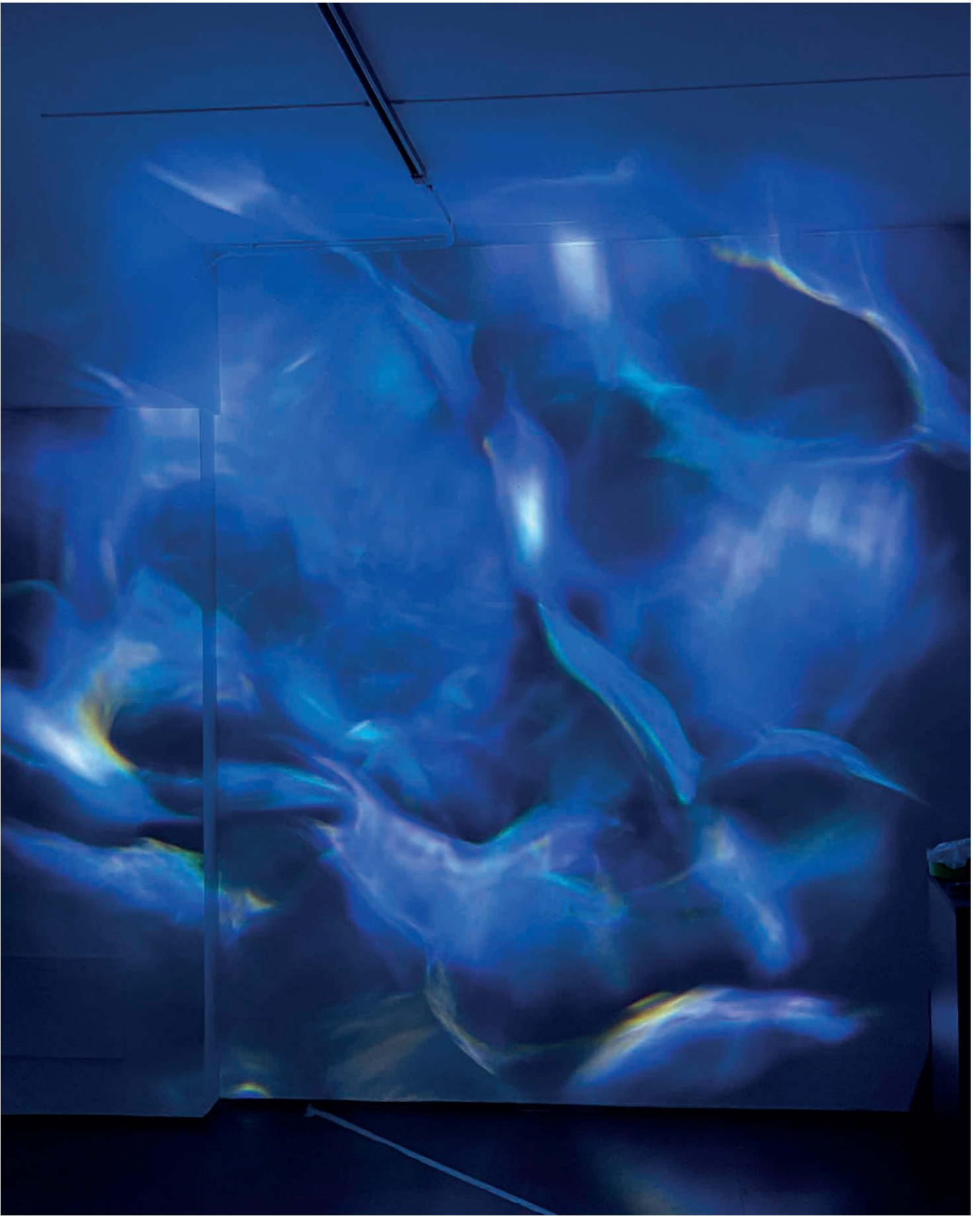




Fire Effect



Bubble Effect



Water Effect

● Coemar Lighting S.r.l.

Via Carpenedolo, 90
46043, Castiglione delle Stiviere (MN) – Italy

P. +39 0376 1514412

M1. info@coemar.com

M2. service@coemar.com

W. coemar.com

P.iva – C.f. 02415330204

