

Risalto LED S Daylight +

Product code:
F134D000S (Fresnel)
F134D000T (PC)

Last update:
05/06/2023



Risalto LED S Daylight +

Introducing

● Designed with + electronic and a new OLED display, this Fresnel or PC projector is the evolution of the Risalto Daylight. The + electronic with advanced LED controller enables a smooth dimming and it offers and higher luminous efficiency. Very quick setup of the functions thanks to the potentiometer knob

Key Features



● 100 W Daylight COB LED



● CRI > 90



● CCT Fixed White 5.600 K



● Fresnel or PC lenses (diameter 120 mm / 4.7 in)

● Zoom range from 16° to 77° (with Fresnel lens)

● Zoom range from 10° to 85° (with PC lens)



● Steel and die cast aluminium with High-quality epoxy powder coating protects against corrosion



● Custom color on request (optional)



● Manual (standard) or Pole Operated Pan-Tilt (optional)



● European Conformity certification

| General | |
|---------------------------------------|--|
| ● LED Source | 100W Daylight COB LED |
| ● CCT Range | ●●●●● Fixed White 5.600 K |
| ● Color Rendition Average | CRI> 90 |
| ● Dimming | 8 or 16 bit, 5 selectable curves: Exponential, Logarithmic, Linear, Halo and Standard |
| ● Dimming Smooth Selection | Fast, Slow and Very Slow |
| ● Strobe | Electronic strobe, synchronized, random, pulse effect |
| ● Lens | Glass Fresnel or PC lenses (diameter 120 mm / 4.7 in) |
| ● Optical | Zoom range from 16° to 77° (with Fresnel lens) Zoom range from 10° to 85° (with PC lens) |
| ● Camera flicker control/Hz range | Flicker-free operation with LEDs frequency controlled via DMX from 600 to 20.000 Hz |
| ● Calibrated Cob | Yes |
| ● L80 Rating (hours to 80% output) | 50.000 Hours |
| Electrical | |
| ● Voltage Input | 90-264 V, 50/60 Hz, auto-sensing |
| ● Power Consumption | 100 W Maximum - 0.46 A at 230 V, 0.92 A at 115 V - cosφ 0.95 |
| ● Power Connection | In and Out PowerCON TRUE1 Top connectors, 1.5 m (4.9 ft) PowerCon cable without power plug |
| ● Data Connection | In and Out DMX 5 pin locking XLR connectors |
| Thermal | |
| ● Ambient Operating Temperature | 0°C - +40°C (32°F - 104°F) |
| ● Fan (controllable) | Yes, 4 different settings: Silent, Studio, Auto, DMX Regulated |
| Control | |
| ● Protocols | DMX-512, RDM (Remote Device Management), Wireless (optional By LumenRadio) |
| ● RDM configuration | Yes |
| ● DMX Channels | 5 / 1 |
| ● Display | Graphic OLED with on-board selector for quick setting |
| ● Software Upload | Through DMX with RDM Upgrade USB interface (code AC10011A001) |
| Physical | |
| ● Yoke | Manual (standard) or Pole Operated Pan-Tilt (optional) |
| ● Materials | Steel and die cast aluminium with High-quality epoxy powder coating protects against corrosion |
| ● Weight | 5.5 Kg / 12.13 lbs |
| ● Length | 308 mm / 12.13 in |
| ● Height | 185 mm / 7.28 in - With bracket: 288 mm / 11.34 in |
| ● Width | 251 mm / 9.88 in |
| ● IP Rating | IP20 |
| ● Color options | Black (standard), custom color on request (optional) |
| General accessories | |
| BC10034A002 | 4-Leaf Barndoor (included) |
| GKIT17 (USA) / GKIT16 (EU) | 1.5 m (4.9 ft) power cable with PowerCON TRUE1 Top and bare ends (included) |
| BC10034A005 | Color frame holder (optional) |



PC lens

Rialto Led + Rear Panel / PC lens

DMX Charts

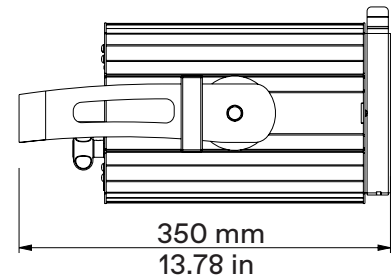
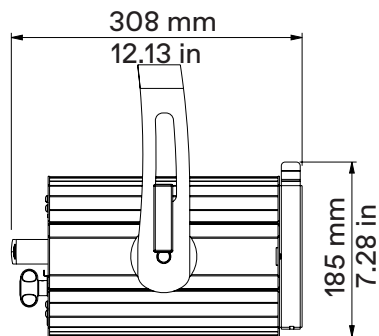
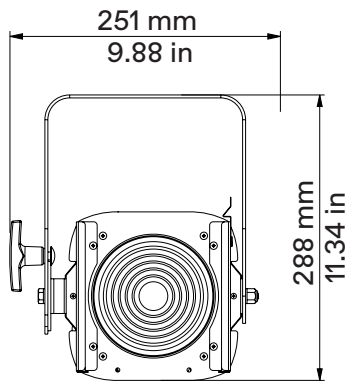
5 Channels

- 01 → Master Dimmer
- 02 → Spare Channel
- 03 → Dimmer Fine
- 04 → Strobe
- 05 → Special Function

1 Channel

- 01 → Master Dimmer

Drawing Size



● Coemar Lighting S.r.l.

Via Carpenedolo, 90
46043, Castiglione delle Stiviere (MN) – Italy

P. +39 0376 1514412

M1. info@coemar.com

M2. service@coemar.com

W. coemar.com

P.iva – C.f. 02415330204

