

Otello 6 HD VariWhite +

Last update:
29/03/2023



Otello 6 HD + with 8 leaf barndoor

Introducing

● Developed to offer the best solution in the stage lighting field focussing on **theatre and TV studios applications**, Otello Led Fresnel incorporates all traditional characteristics of a Fresnel light such as the **distinctive soft-edged** and **very wide beam** and the **smooth and homogeneous light field**.

The improved **HD electronic** with an advanced LED controller guarantees a smooth 20 bit dimming and a superlative **color mixing**.

Next to the traditional manual or P.O. option, Otello offers an optional motorized zoom, which together with a modern design and Oled display with on-board selector for quick setting represents the state of the art in terms of LED Fresnel range.

The family consists of 2 fixtures with lenses of 150 mm (5,9 inch) and 200 mm (7,87 inch). All variants include COB, VariWhite, Studio and FullSpectrum 6 LEDs in 3 power steps.

● **FullSpectrum** : 2.700 – 20.000 K (CRI average > 95); Red, Green, Blue, Cyan, Lime, Amber color mixing with Green-Magenta adjustment

● **VariWhite | Tungsten | Daylight**: white engines with the Tungsten and Daylight COB LED calibrated respectively at 3.000 K and 5.600 K CCT and a tunable white source ranging from 2.800 to 6.500 K (CRI > 94) for the VariWhite version

Key Features



● VariWhite COB LED



● High CRI > 95



● CCT 2.700 K → 6.500 K



- Fresnel lens (diameter 150 mm / 5.90 in)
- Motorized zoom range from 14° to 81° (manual / PO zoom available) half peak angle
- Available with Manual or Motorized Zoom



● Extruded aluminum, flame-retardant technopolymer reinforced with fiberglass



● Custom color on request (optional)



● Manual Yoke, Pole Operated Pan-Tilt-Zoom (Accessory)

General	
● LED Source	VariWhite COB LED
● CCT Range	●●●●● 2.700 K → 6.500 K
● Color Rendition Average	CRI> 95, TLCI> 97
● Dimming	8 or 16 bit, 5 selectable curves: Exponential, Logarithmic, Linear, Halo and Standard
● Dimming Smooth Selection	Fast, Slow and Very Slow
● Strobe	Electronic strobe, synchronized, random, pulse effect
● Lens	Glass Fresnel lens (diameter 150 mm / 5.90 in)
● Optical	Zoom range from 12° to 48° half peak angle (motorized, manual or PO zoom available)
● Camera flicker control/Hz range	Yes: 20.000 Hz
● Calibrated Cob	Yes
● L80 Rating (hours to 80% output)	50.000 Hours
Electrical	
● Voltage Input	AC 80-264 V, 50-60 Hz
● Power Consumption	200 W Maximum - 0.93 A at 230 V, 1.77 A at 115V - cosφ: 0.94 (motorized zoom) 190 W Maximum - 0.88 A at 230 V, 1.69 A at 115V - cosφ: 0.94 (manual zoom/P.O.)
● Power Connection	In and Out PowerCON TRUE1 Top connectors
● Data Connection	In and Out DMX 5 pin locking XLR connectors
Thermal	
● Ambient Operating Temperature	-0°C / +40°C (-32°F - 104°F)
● Fan (controllable)	Yes, 4 different settings: Silent, Studio, Auto, DMX Regulated
Control	
● Protocols	DMX-512, RDM (Remote Device Management), Wireless (optional By LumenRadio)
● RDM configuration	Yes
● DMX Channels	Motorized Zoom: 6 / 4 Manual Zoom/P.O.: 5 / 2 / 1
● Display	Graphic OLED with on-board selector for quick setting
● Firmware upgrade	Through DMX with RDM Upgrade USB interface (code AC10011A001)
Physical	
● Yoke	Manual Yoke, Pole Operated Pan-Tilt-Zoom
● Materials	Extruded aluminum, flame-retardant technopolymer reinforced with fiberglass
● Weight	9.5 kg / 20.94 lbs
● Length	425.5 mm / 16.76
● Height	267.3 mm / 10.52 in - With bracket: 384.2 mm / 15.13 in
● Width	277.7 mm / 10.93 in
● IP Rating	IP20
● Color options	Black (standard), custom color on request (optional)
Included accessories	
BC10044A001	8-Leaf Barndoor
GKIT17 (USA) / GKIT16 (EU)	1.5 m power cable with PowerCON TRUE1 Top and bare ends
BC10044A005	Color frame holder



Otello 6 HD + (manual zoom)
Rear Panel with the new OLED
display



Otello 6 HD + with
Pole Operated Yoke and Pole Operated
Zoom

Otello 6 HD+ PO version / Rear Panel

DMX Charts - Manual Zoom

5 Channels

- 01 → Master Dimmer
- 02 → Dimmer Fine
- 03 → White Tone
- 04 → Strobe Effect
- 05 → Special Functions

2 Channel

- 01 → Master Dimmer
- 02 → White Tone

1 Channel

- 01 → Master Dimmer - Color
Temperature Settable by Display

DMX Charts - Motorized Zoom

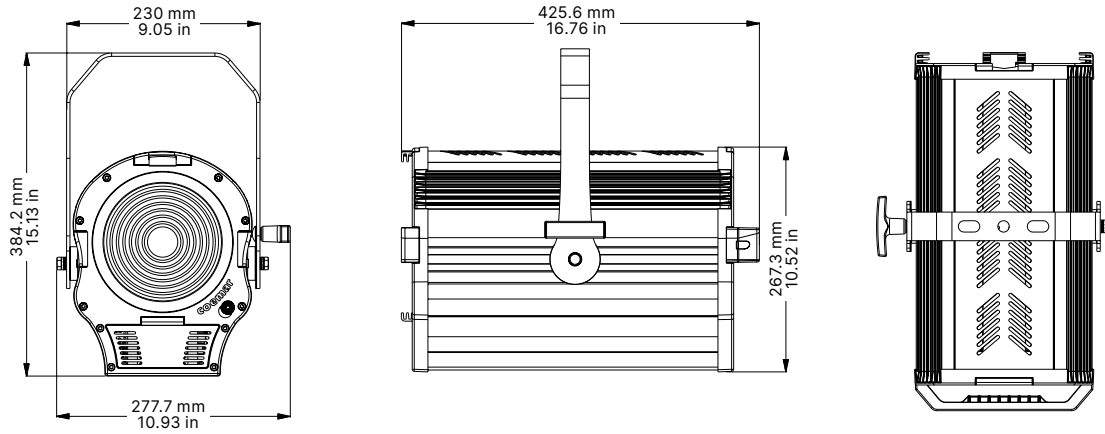
6 Channels

- 01 → Master Dimmer
- 02 → Dimmer Fine
- 03 → White Tone
- 04 → Strobe Effect
- 05 → Special Functions
- 06 → Zoom

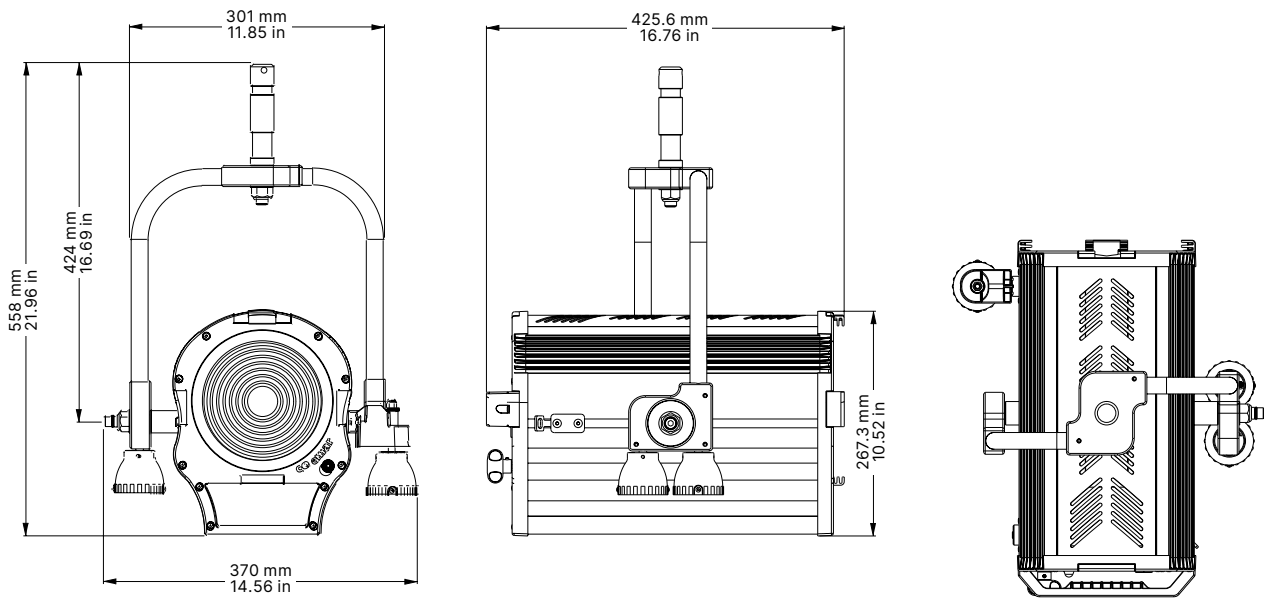
4 Channel

- 01 → Master Dimmer
- 02 → White Tone
- 03 → Special Functions
- 04 → Zoom

Drawing Size - Manual Yoke Version



Drawing Size - Pole operated Yoke Version



Models

Product	Code
Otello 6 HD VariWhite + Manual Yoke, Manual Zoom	F144G090M
Otello 6 HD VariWhite + Manual Yoke, Motorized Zoom	F144G000M
Otello 6 HD VariWhite + Pole Operated	F144G010M



Broadcast - TV Studio Qatar

Product	Otello 6 VW HD
CCT	2.700 K → 6.500 K
CRI	>95
Optical	Manual Zoom

● Coemar Lighting S.r.l.

Via Carpenedolo, 90
46043, Castiglione delle Stiviere (MN) – Italy

P. +39 0376 1514412

M1. info@coemar.com

M2. service@coemar.com

W. coemar.com

P.iva – C.f. 02415330204

