

LEDko D Studio +

Product code:
F111B000A

Last update:
28/03/2023



LEDko D Studio +
with Profile Zoom 28°-40° Optic

LEDko D Studio + with Profile Zoom 28°-40° Optic

Introducing

● Designed with new electronic and a new OLED display, this spot profile projector is the evolution of the Daylight. The + electronic with advanced LED controller enables a smooth dimming and it offers a higher luminous efficiency, with a color rendering index of the white range greater than 96. Very quick setup of the functions thanks to the potentiometer knob

Key Features

- Daylight COB LED
- High CRI > 96
- CCT 5.600 K
- LED profile spot
- High Lumen flux and flat field
- Swappable lens tube between 5°-90°
- Soft profiling thanks to Fresnel and PC optics (Coemar patent)
- Four blade framing system, each shutter blade is adjustable for radial position and angle
- Flame-retardant technopolymer reinforced with fiberglass
- Custom color on request (optional)
- Manual (standard) or Pole Operated Pan-Tilt (optional)
- European Conformity certification

General

| | |
|---------------------------------------|---|
| ● LED Source | Daylight COB LED |
| ● CCT Range | ●●●●● 5.600 K |
| ● Color Rendition Average | CRI 96, TLCI 98 |
| ● Dimming | 8 or 16 bit, 5 selectable curves: Exponential, Logarithmic, Linear, Halo and Standard |
| ● Dimming Smooth Selection | Fast, Slow and Very Slow |
| ● Strobe | Synchronized, random or pulse electronic strobe |
| ● Available Optics | Swappable lens tube between 5°-90° |
| ● Camera flicker control/Hz range | Yes, from 600 Hz to 20.000 Hz |
| ● Calibrated Cob | Yes |
| ● L80 Rating (hours to 80% output) | 50.000 Hours |
| ● Pattern projection | Yes |
| ● Pattern size | A or B |

Electrical

| | |
|---------------------|--|
| ● Voltage Input | 85-264 V, 50/60 Hz, auto-sensing |
| ● Power Consumption | 200 W Maximum - 0.92 A at 230 V, 1.83 A at 115 V - $\cos\phi$ 0,95 |
| ● Power Connection | In and Out PowerCON TRUE1 Top connectors, 1.5 m (4.9 ft) PowerCon cable without power plugIn and Out |
| ● Data Connection | DMX 5 pin locking XLR connectors |

Thermal

| | |
|---------------------------------|--|
| ● Ambient Operating Temperature | 0°C - +40°C (32°F - 104°F) |
| ● Fan (controllable) | Yes, 4 different settings: Silent, Studio, Auto, DMX regulated |

Control

| | |
|---------------------|--|
| ● Protocols | DMX-512, RDM (Remote Device Management), Wireless (optional by LumenRadio) |
| ● RDM configuration | Yes |
| ● DMX Channels | 5 / 1 |
| ● Display | Graphic OLED on-board selector for quick setting |
| ● Firmware upgrade | Through DMX with RDM Upgrade USB interface (code AC10011A001) |

Physical

| | |
|------------------|---|
| ● Yoke | Manual (standard) or Pole Operated Pan-Tilt (optional) |
| ● Materials | Flame-retardant technopolymer reinforced with fiberglass |
| ● Framing System | Four blade framing system, each shutter blade is adjustable for radial position and angle |
| ● Weight | Body: 6 Kg / 13.23 lbs - With Profile Zoom 28°/40° optic: 8.5 Kg / 18.74 lbs |
| ● Length | Body: 362 mm / 14.25 in - With Profile Zoom 28°/40° optic: 601 mm / 23.66 in |
| ● Height | 189 mm / 7.44 in - With bracket: 372 mm/ 14.64 in |
| ● Width | 355 mm / 13.97 in |
| ● IP Rating | IP20 (available IP65 LEDko Ext Series) |
| ● Color options | Black (standard), custom color on request (optional) |

Included accessories

| | |
|----------------------------|---|
| GKIT17 (USA) / GKIT16 (EU) | 1.5 m power cable with PowerCON TRUE1 Top and bare ends |
| BC10011A106 | Metal Gobo Holder |

Optics

| | |
|--------------|------------------------------------|
| BC10011A017 | Profile Zoom 15°-35° |
| BC10011A019 | Profile Zoom 25°-50° |
| BC10011A003 | Profile Zoom 28°-40° |
| BC10011A002 | Soft Profile Fresnel Zoom 14°-40° |
| BC10011A001 | Soft Profile PC Zoom 11°-38° |
| BC10011A0w00 | Front Barrel with Burnished Blades |
| BC10011A041 | Lens Tube Profile 5° |
| BC10011A042 | Lens Tube Profile 10° |
| BC10011A023 | Lens Tube Profile 14° |
| BC10011A012 | Lens Tube Profile 19° |
| BC10011A013 | Lens Tube Profile 26° |
| BC10011A015 | Lens Tube Profile 36° |
| BC10011A016 | Lens Tube Profile 50° |
| BC10011A024 | Lens Tube Profile 70° |
| BC10011A025 | Lens Tube Profile 90° |

General accessories

| | |
|-------------|--|
| BC10034A003 | 4-Leaf Barndoor for Fresnel Zoom optic |
| BC10011A006 | Magnetic Gobo Holder |
| BC10011A106 | Metal Gobo Holder |
| BC10011A030 | Gobo Holder for Glass Gobo |
| BC10011A010 | Iris |
| BC10011A049 | Gobo Holder for Iris Slot |
| BC10011A047 | Hook Clamp, 48-51 mm (Max Load 20 Kg) |
| BC10011A045 | Light Clamp Silver, 48-51 mm (Max 75 Kg) |
| BC10011A046 | Light Clamp Black, 48-51 mm (Max 75 Kg) |
| BC10011A043 | Clamp Silver Flat 13-30 mm/ø15-50 mm (Max 20 Kg) |
| BC10011A044 | Clamp Black Flat 13-30 mm/ø15-50 mm (Max 20 Kg) |
| BC10011A150 | Pole Operated Yoke |

Accessories for Profile Zoom

| | |
|-------------|-------------------------------|
| BC10011A028 | Donut (190.5 mm) |
| BC10011A027 | Half Top Hat (190.5 mm) |
| BC10011A029 | Top Hat (190.5 mm) |
| BC10011A040 | Color Frame Holder (190.5 mm) |

Accessories for Soft Profile Zoom

| | |
|-------------|-----------------------------|
| BC10011A036 | Donut (185 mm) |
| BC10011A035 | Half Top Hat (185 mm) |
| BC10011A037 | Top Hat (185 mm) |
| ACO4204 | Color Frame Holder (185 mm) |

Accessories for Lens Tube

| | |
|-------------|-----------------------------|
| BC10011A032 | Donut (159 mm) |
| BC10011A031 | Half Top Hat (159 mm) |
| BC10011A033 | Top Hat (159 mm) |
| BC10011A021 | Color Frame Holder (159 mm) |



LEDko D Studio + Rear Panel with the new OLED Display



LEDko D Studio + with Pole Operated Yoke

LEDko D Studio + Pole Operated Yoke/Rear Panel

DMX Charts

5 Channels

01 → Master Dimmer

02 → Spare Channel

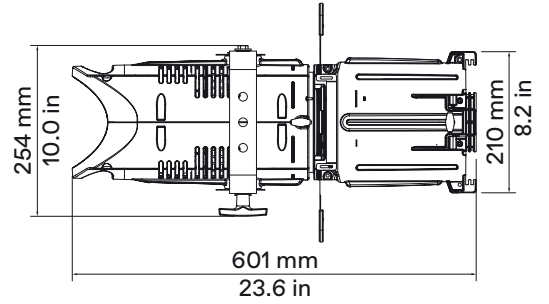
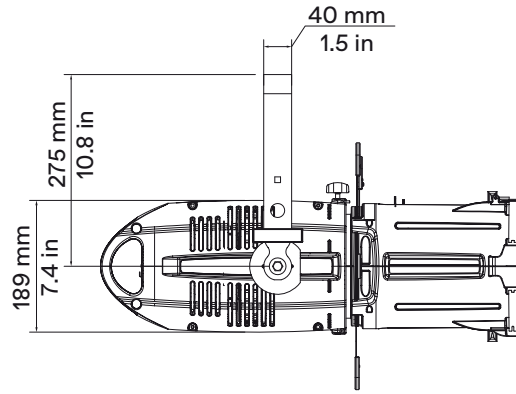
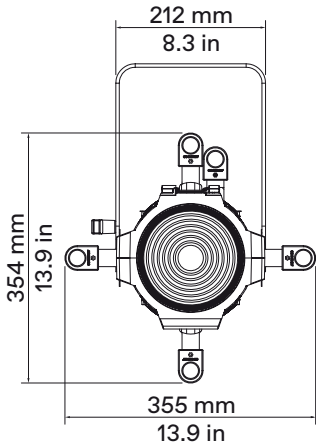
03 → Dimmer Fine

04 → Strobe Effect

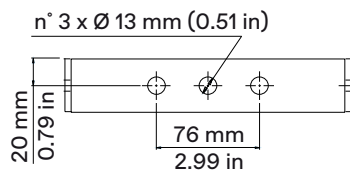
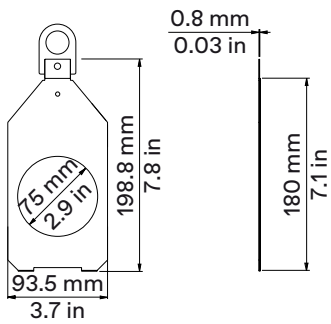
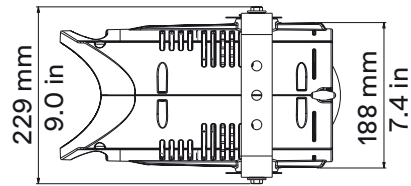
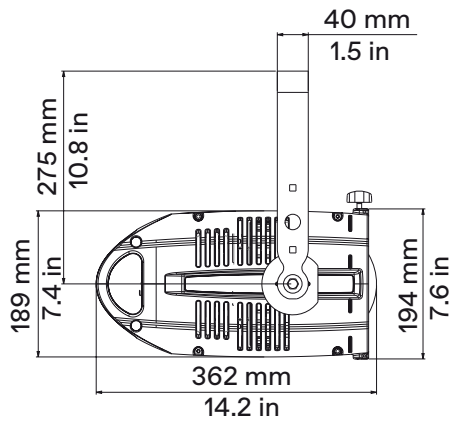
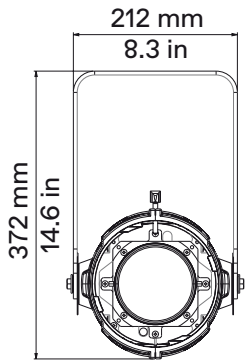
05 → Special Functions

1 Channel

01 → Master Dimmer



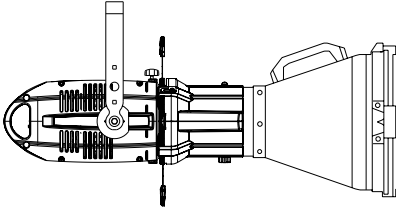
* with Profile Zoom 28°/40° optic

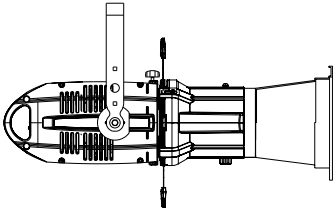


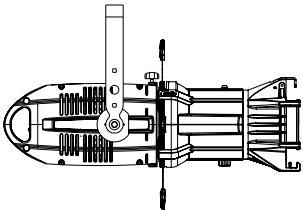
*Standard gobo holder

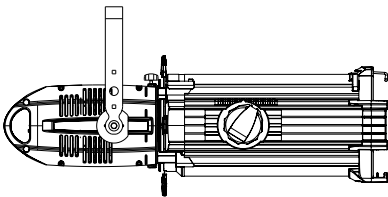
*Yoke

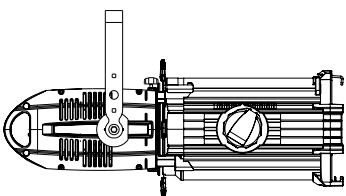
LEDko Optics dimensions and weight

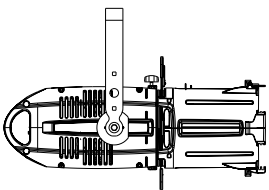
| Product | Optics | Length | Weight |
|--|-----------------------|------------------|-----------------|
|  | Lens Tube Profile 10° | 900 mm (35.4 in) | 9 Kg (19.8 lbs) |

| Product | Optics | Length | Weight |
|--|-----------------------|------------------|---------------------|
|  | Lens Tube Profile 14° | 750 mm (35.4 in) | 9 Kg (19.8 lbs) |
| | Lens Tube Profile 70° | 750 mm (35.4 in) | 8.68 Kg (19.14 lbs) |

| Product | Optics | Length | Weight |
|--|-----------------------|------------------|---------------------|
|  | Lens Tube Profile 19° | 670 mm (26.3 in) | 9.15 Kg (20.17 lbs) |
| | Lens Tube Profile 26° | 670 mm (26.3 in) | 9.05 Kg (19.95 lbs) |
| | Lens Tube Profile 36° | 670 mm (26.3 in) | 9.35 Kg (20.60 lbs) |
| | Lens Tube Profile 50° | 670 mm (26.3 in) | 9.05 Kg (19.95 lbs) |

| Product | Optics | Length | Weight |
|---|----------------------|------------------|----------------------|
|  | Profile Zoom 15°-35° | 886 mm (34.9 in) | 13.05 Kg (28.77 lbs) |

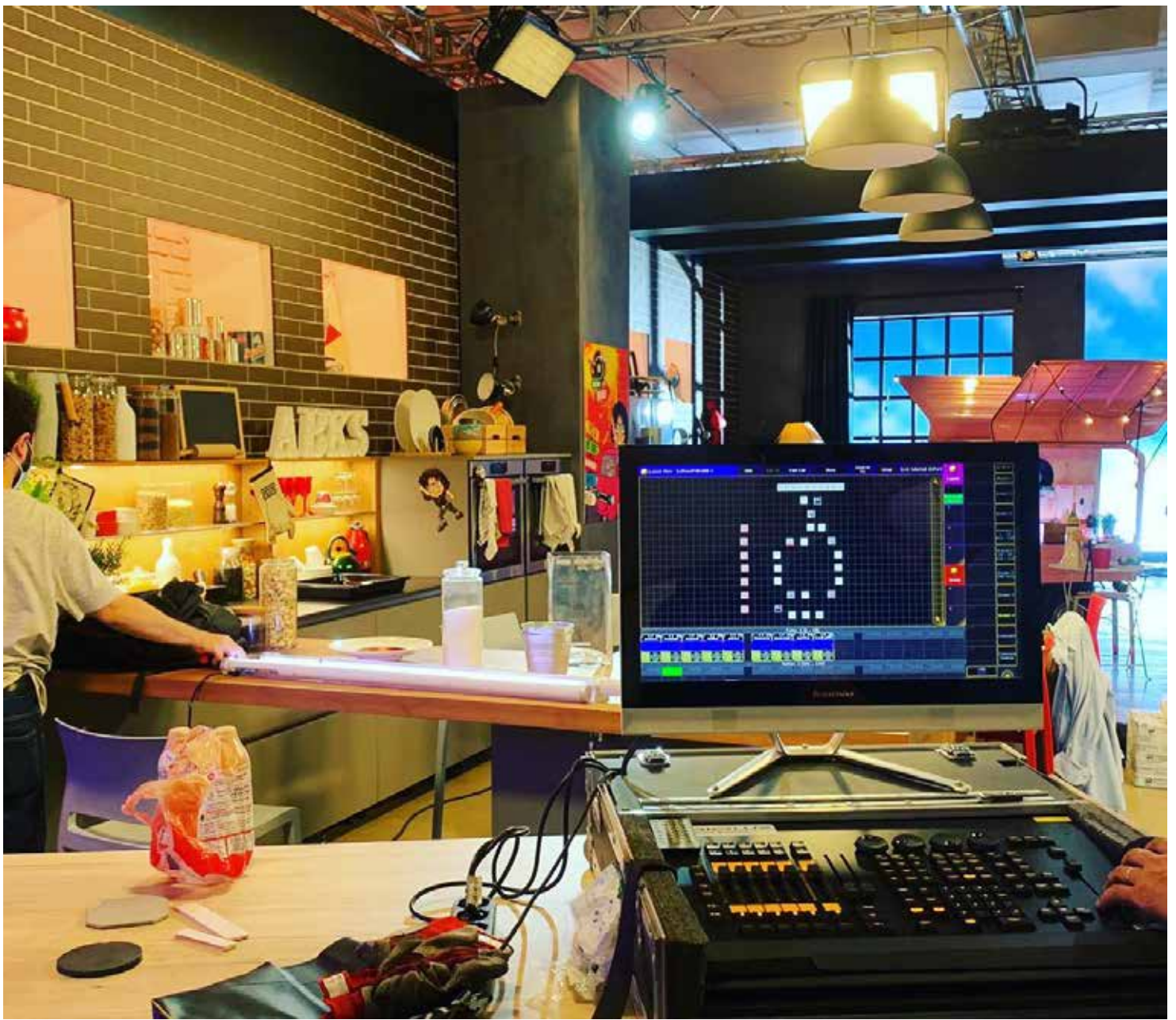
| Product | Optics | Length | Weight |
|--|----------------------|------------------|---------------------|
|  | Profile Zoom 25°-50° | 783 mm (30.8 in) | 11.2 Kg (24.69 lbs) |

| Product | Optics | Length | Weight |
|--|-----------------------------------|------------------|---------------------|
|  | Profile Zoom 28°-40° | 601 mm (23.7 in) | 8.3 Kg (18.3 lbs) |
| | Soft Profile Fresnel Zoom 14°-40° | 601 mm (23.7 in) | 7.75 Kg (17.09 lbs) |
| | Soft Profile PC Zoom 11°-38° | 601 mm (23.7 in) | 8.25 Kg (18.19 lbs) |



Broadcast - ESPN Studios, Mexico City

| | |
|--------------|----------------|
| Product | LEDko D Studio |
| CCT | 5.600K |
| CRI | >96 |
| Installation | Comtelstat |



Broadcast - Alessandro Borghese Kitchen Sound, Italy

| | |
|--------------|----------------|
| Product | LEDko D Studio |
| CCT | 5.600K |
| CRI | >96 |
| Installation | AudioLux Srl |

● Coemar Lighting S.r.l.

Via Carpenedolo, 90
46043, Castiglione delle Stiviere (MN) – Italy

P. +39 0376 1514412

M1. info@coemar.com

M2. service@coemar.com

W. coemar.com

P.iva – C.f. 02415330204

