

# LEDko T Studio +

Product code:  
F111A000A

Last update:  
21/03/2023



LEDko T Studio +  
with Profile Zoom 28°-40° Optic

LEDko T Studio + with Profile Zoom 28°-40° Optic

#### Introducing

● Designed with new electronic and a new OLED display, this spot profile projector is the evolution of the Tungsten. The + electronic with advanced LED controller enables a smooth dimming and it offers a higher luminous efficiency, with a color rendering index of the white range greater than 96. Very quick setup of the functions thanks to the potentiometer knob

#### Key Features



● Tungsten COB LED



● High CRI > 97



● CCT 3.200K



● LED profile spot  
● High lumen flux and flat field



● Swappable lens tubes between 5–90°  
● Soft profiling thanks to Fresnel and PC optics (Coemar patent)



● Four blade framing system, each shutter blade is adjustable for radial position and angle



● Flame-retardant technopolymer reinforced with fiberglass



● Custom color on request (optional)



● Manual (standard) or Pole Operated Pan-Tilt (Optional)



● European Conformity certification

## General

● LED Source	Tungsten COB LED
● CCT Range	● ● ● ● ● 3.200K
● Color Rendition Average	CRI > 97, TLCI 97
● Dimming	8 or 16bit, 5 selectable curves: Exponential, Logarithmic, Linear, Halo and Standard
● Dimming Smooth Selection	Fast, Slow and Very Slow
● Strobe	Synchronized, random or pulse electronic strobe
● Available Optics	Swappable lens tubes between 5°-90°
● Camera flicker control/Hz range	Yes, from 600 Hz to 20.000 Hz
● Calibrated Cob	Yes
● L80 Rating (hours to 80% output)	50.000 Hours
● Pattern projection	Yes
● Pattern size	A or B

## Electrical

● Voltage Input	85-264V, 50/60Hz, auto-sensing
● Power Consumption	200W Maximum - 0.92 A at 230 V, 1.83 A at 115 V - cosφ 0,95
● Power Connection	In and Out PowerCON TRUE1 Top connectors, 1.5 m (4.9 ft) PowerCon cable without power plug
● Data Connection	In and Out DMX 5 pin locking XLR connectors

## Thermal

● Ambient Operating Temperature	0°C - +40°C (32°F - 104°F)
● Fan (controllable)	Yes, 4 different settings: Silent, Studio, Auto, DMX Regulated

## Control

● Protocols	DMX-512, RDM (Remote Device Management), Wireless (optional by LumenRadio)
● RDM configuration	Yes
● DMX Channels	5 / 1
● Display	Graphic OLED with on-board selector for quick setting
● Firmware upgrade	Through DMX with RDM Upgrade USB interface (code AC10011A001)

## Physical

● Yoke	Manual (standard) or Pole Operated Pan-Tilt (Optional)
● Materials	Flame-retardant technopolymer reinforced with fiberglass
● Framing System	Four stainless steel shutter blades in a two-plane assembly, 0.40mm (AISI 316)
● Weight	Body: 6 kg / 13.22 lbs - With Profile Zoom 28°/40° 8.5 Kg / 18.74 lbs
● Length	Body: 362 mm / 14.25 in - With Profile Zoom 28°/40° optic: 601 mm / 23.66 in
● Height	189 mm / 7.44 in - With bracket: 372 mm / 14.64 in
● Width	355 mm / 13.97 in
● IP Rating	IP20 (available IP65 LEDko Ext Series)
● Color options	Black (standard), custom color on request (optional)

## Included accessories

GKIT17 (USA) / GKIT16 (EU)	1.5 m power cable with PowerCON TRUE1 Top and bare ends
BC10011A106	Metal Gobo Holder

Optics

BC10011A017	Profile Zoom 15°-35°
BC10011A019	Profile Zoom 25°-50°
BC10011A003	Profile Zoom 28°-40°
BC10011A002	Soft Profile Fresnel Zoom 14°-40°
BC10011A001	Soft Profile PC Zoom 11°-38°
BC10011A000	Front Barrel with Burnished Blades
BC10011A041	Lens Tube Profile 5°
BC10011A042	Lens Tube Profile 10°
BC10011A023	Lens Tube Profile 14°
BC10011A012	Lens Tube Profile 19°
BC10011A013	Lens Tube Profile 26°
BC10011A015	Lens Tube Profile 36°
BC10011A016	Lens Tube Profile 50°
BC10011A024	Lens Tube Profile 70°
BC10011A025	Lens Tube Profile 90°

General accessories

BC10034A003	4-Leaf Barndoor for Zoom Fresnel optic
BC10011A006	Magnetic Gobo Holder
BC10011A030	Gobo Holder for Glass Gobo
BC10011A010	Iris
BC10011A049	Gobo Holder for Iris Slot
BC10011A047	Hook Clamp, 48-51 mm (Max Load 20 Kg)
BC10011A045	Light Clamp Silver, 48-51 mm (Max 75 Kg)
BC10011A046	Light Clamp Black, 48-51 mm (Max 75 Kg)
BC10011A043	Clamp Silver Flat 13-30 mm/ø15-50 mm (Max 20 Kg)
BC10011A044	Clamp Black Flat 13-30 mm/ø15-50 mm (Max 20 Kg)
BC10011A100	Wireless Kit (LumenRadio)
BC10011A150	Pole Operated Yoke

Accessories for Profile Zoom 15°-35° and 25°-50°

BC10011A028	Donut (190.5 mm)
BC10011A027	Half Top Hat (190.5 mm)
BC10011A029	Top Hat (190.5 mm)
BC10011A040	Color Frame Holder (190.5 mm)

Accessories for Soft Profile Zoom (Fresnel, PC) and Profile Zoom 28°-40°

BC10011A036	Donut (185 mm)
BC10011A035	Half Top Hat (185 mm)
BC10011A037	Top Hat (185 mm)
ACO4204	Color Frame Holder (185 mm)

Accessories for Lens Tube

BC10011A032	Donut (159 mm)
BC10011A031	Half Top Hat (159 mm)
BC10011A033	Top Hat (159 mm)
BC10011A021	Color Frame Holder (159 mm)



LEDko T Studio + Rear Panel with the new OLED Display



LEDko T Studio + with Pole Operated Yoke

---

LEDko T Studio + Pole Operated Yoke/Rear Panel

DMX Charts

---

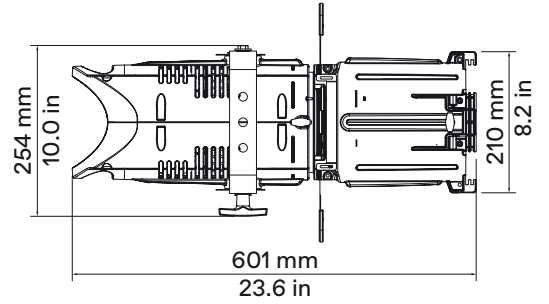
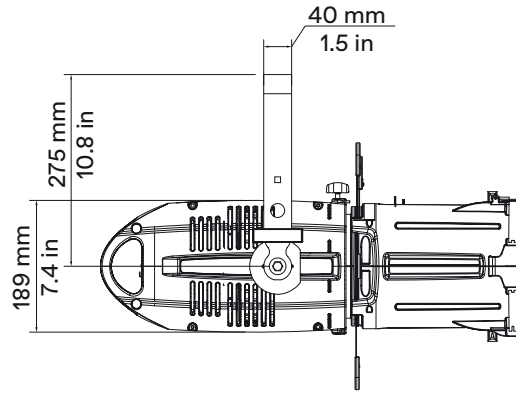
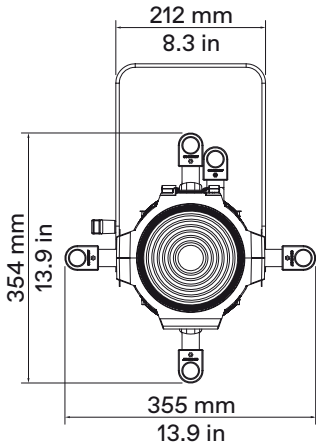
**5 Channels**

- 01 → Master Dimmer
- 02 → Spare Channel
- 03 → Dimmer Fine
- 04 → Strobe Effect
- 05 → Special Functions

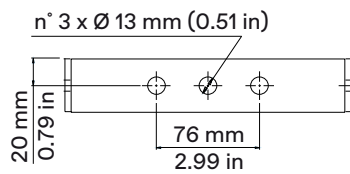
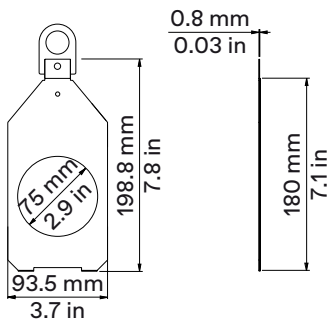
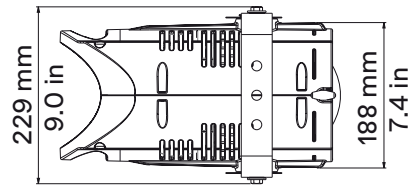
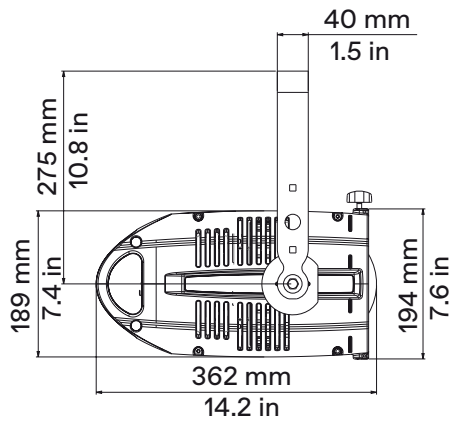
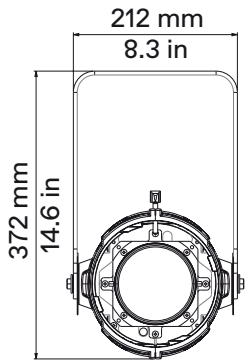
---

**1 Channel**

- 01 → Master Dimmer



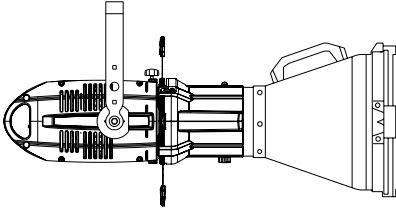
\* with Profile Zoom 28°/40° optic

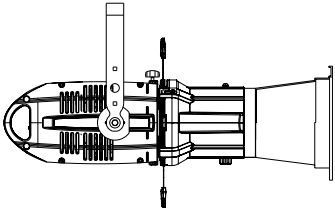


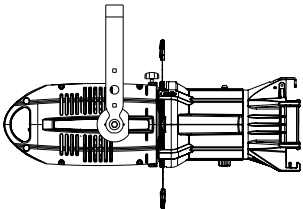
\*Standard gobo holder

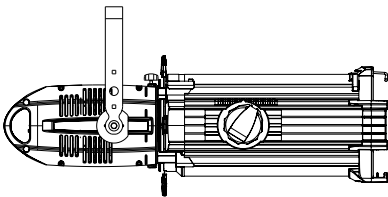
\*Yoke

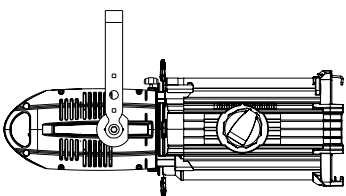
LEDko Optics dimensions and weight

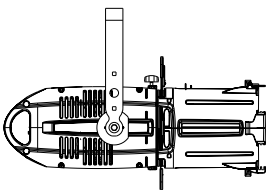
Product	Optics	Length	Weight
	Lens Tube Profile 10°	900 mm (35.4 in)	9 Kg (19.8 lbs)

Product	Optics	Length	Weight
	Lens Tube Profile 14°	750 mm (35.4 in)	9 Kg (19.8 lbs)
	Lens Tube Profile 70°	750 mm (35.4 in)	8.68 Kg (19.14 lbs)

Product	Optics	Length	Weight
	Lens Tube Profile 19°	670 mm (26.3 in)	9.15 Kg (20.17 lbs)
	Lens Tube Profile 26°	670 mm (26.3 in)	9.05 Kg (19.95 lbs)
	Lens Tube Profile 36°	670 mm (26.3 in)	9.35 Kg (20.60 lbs)
	Lens Tube Profile 50°	670 mm (26.3 in)	9.05 Kg (19.95 lbs)

Product	Optics	Length	Weight
	Profile Zoom 15°-35°	886 mm (34.9 in)	13.05 Kg (28.77 lbs)

Product	Optics	Length	Weight
	Profile Zoom 25°-50°	783 mm (30.8 in)	11.2 Kg (24.69 lbs)

Product	Optics	Length	Weight
	Profile Zoom 28°-40°	601 mm (23.7 in)	8.3 Kg (18.3 lbs)
	Soft Profile Fresnel Zoom 14°-40°	601 mm (23.7 in)	7.75 Kg (17.09 lbs)
	Soft Profile PC Zoom 11°-38°	601 mm (23.7 in)	8.25 Kg (18.19 lbs)





Museum - Vasa Museum, Stockholm, Sweden

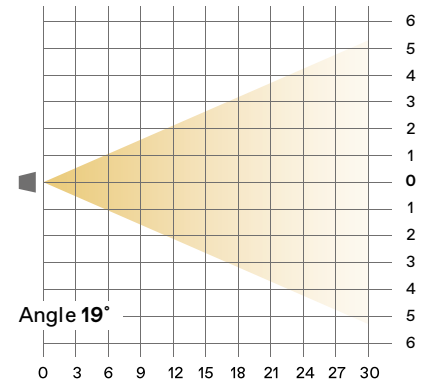
Product	LEDko T Studio
CCT	3.200K
CRI	>96



## LEDko Tungsten CRI &gt; 97 - Lens Tube

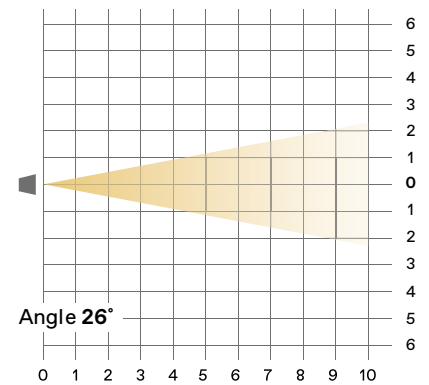
## Optic: Lens Tube 19°

<b>Distance(m)</b>	3	6	9	12	15	18	21	24	27	30	
<b>lux</b>	<b>3.200K</b>	19.040	4760	2116	1190	762	529	389	298	235	190
<b>Diameter Ø (m)</b>	1,00	2,01	3,01	4,02	5,02	6,02	7,03	8,03	9,04	10,04	
<b>lux</b>	<b>3.200K</b>	CRI 97.2	TLCI 98								



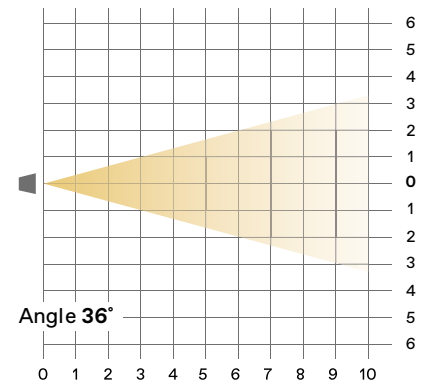
## Optic: Lens Tube 26°

<b>Distance(m)</b>	1	2	3	4	5	6	7	8	9	10	
<b>lux</b>	<b>3.200K</b>	92.520	23.130	10.280	5.783	3.701	2.570	1.888	1.446	1.142	925
<b>Diameter Ø (m)</b>	0,46	0,92	1,39	1,85	2,31	2,77	3,23	3,69	4,16	4,62	
<b>lux</b>	<b>3.200K</b>	CRI 97.2	TLCI 97								



## Optic: Lens Tube 36°

<b>Distance(m)</b>	1	2	3	4	5	6	7	8	9	10	
<b>lux</b>	<b>3.200K</b>	46.800	11.700	5.200	2.925	1.872	1.300	955	731	578	468
<b>Diameter Ø (m)</b>	0,65	1,30	1,95	2,60	3,25	3,90	4,55	5,20	5,85	6,50	
<b>lux</b>	<b>3.200K</b>	CRI 97.2	TLCI 98								



● Coemar Lighting S.r.l.

Via Carpenedolo, 90  
46043, Castiglione delle Stiviere (MN) – Italy

P. +39 0376 1514412

M1. info@coemar.com

M2. service@coemar.com

W. coemar.com

P.iva – C.f. 02415330204



Coemar reserves the right to change specifications without prior notice.

Last Update: 21 March 2023 - vrs. 1.8