

LEDko FullSpectrum Series 2 RGBL +

Product code:
F111J000A

Last update:
12/06/2023



LEDkoFullSpectrum 2 +
with Profile Zoom 28°-40° Optic

LEDko FullSpectrum Series 2 + with Profile Zoom 28°-40° Optic

Introducing

● Designed with new electronic and a new OLED display, this spot profile projector is the evolution of the FullSpectrum 2. The + electronic with advanced LED controller enables a smooth dimming and it offers and higher luminous efficiency. Very quick setup of the functions thanks to the potentiometer knob

Key Features

- RGBL color mixing with hue and saturation control
- Green-Magenta adjustment
- CCT 2.700 K - 10.000 K Continuously Variable Correlated Color Temperature
- LED profile spot
- High lumen flux and flat field
- Swappable lens tubes between 5°-90°
- Soft profiling thanks to Fresnel and PC optics (Coemar patent)
- Four blade framing system, each shutter blade is adjustable for radial position and angle
- Flame-retardant technopolymer reinforced with fiberglass
- Custom color on request (optional)
- Manual (standard) or Pole Operated Pan-Tilt (optional)

General

● LED Source	RGBL LEDs module - RGBL color mixing with hue and saturation control
● CCT Range	● ● ● ● ● 2.700 K - 10.000 K
● Green-Magenta adjustment	Continuously adjustable from full minus-green to full plus-green- Plus minus green correction
● Dimming	8 or 16bit, 5 selectable curves: Exponential, Logarithmic, Linear, Halo and Standard
● Dimming Smooth Selection	Fast, Slow and Very Slow
● Strobe	Synchronized, random or pulse electronic strobe
● Available Optics	Swappable lens tubes between 5°-90°
● Camera flicker control/Hz range	Flicker-free operation with LEDs frequency controlled via DMX from 600 to 20.000 Hz
● Calibrated Cob	Yes
● L80 Rating (hours to 80% output)	50.000 Hours
● Pattern projection	Yes
● Pattern size	A or B

Electrical

● Voltage Input	90-264 V, 50/60 Hz, auto-sensing
● Power Consumption	200 W Maximum - 0.89 A at 230 V, 1.77 A at 115 V - cosφ 0,98
● Power Connection	In and Out PowerCON TRUE1 Top connectors, 1.5 m (4.9 ft) PowerCon cable without power plug
● Data Connection	In and Out DMX 5 pin locking XLR connectors

Thermal

● Ambient Operating Temperature	0°C - +40°C (32°F - 104°F)
● Cooling	Yes, 4 different settings: Silent, Studio, Auto, DMX Regulated

Control

● Protocols	DMX-512, RDM (Remote Device Management), Wireless (optional by LumenRadio)
● RDM configuration	Yes
● DMX Channels	14 / 8 / 7 / 4 / 1
● Display	Graphic OLED with on-board selector for quick setting
● Software Upload	Through DMX input (With RDM interface code AC10011A001)

Physical

● Yoke	Manual (standard) or Pole Operated Pan-Tilt (optional)
● Materials	Flame-retardant technopolymer reinforced with fiberglass
● Framing System	Four stainless steel shutter blades in a two-plane assembly, 0.40mm (AISI 316)
● Weight	Body: 6 Kg / 13.23 lbs - With Profile Zoom 28°/40° optic: 8.5 Kg / 18.74 lbs
● Length	Body: 362 mm / 14.25 in - With Profile Zoom 28°/40° optic: 601 mm / 23.66 in
● Height	189 mm / 7.44 in - With bracket: 372 mm/ 14.64 in
● Width	355 mm / 13.97 in
● IP Rating	IP20 (available IP65 LEDko Ext Series)
● Color options	Black (standard), custom color on request (optional)

Included accessories

GKIT17 (USA) / GKIT16 (EU) BC10011A106	1.5 m power cable with PowerCON TRUE1 Top and bare ends Metal Gobo Holder
---	--

Optics

BC10011A017	Profile Zoom 15°-35°
BC10011A019	Profile Zoom 25°-50°
BC10011A003	Profile Zoom 28°-40°
BC10011A002	Soft Profile Fresnel Zoom 14°-40°
BC10011A001	Soft Profile PC Zoom 11°-38°
BC10011A000	Front Barrel with Burnished Blades
BC10011A041	Lens Tube Profile 5°
BC10011A042	Lens Tube Profile 10°
BC10011A023	Lens Tube Profile 14°
BC10011A012	Lens Tube Profile 19°
BC10011A013	Lens Tube Profile 26°
BC10011A015	Lens Tube Profile 36°
BC10011A016	Lens Tube Profile 50°
BC10011A024	Lens Tube Profile 70°
BC10011A025	Lens Tube Profile 90°

General accessories

BC10034A003	4-Leaf Barndoor for Zoom Fresnel optic
BC10011A006	Magnetic Gobo Holder
BC10011A030	Gobo Holder for Glass Gobo
BC10011A010	Iris
BC10011A049	Gobo Holder for Iris Slot
BC10011A047	Hook Clamp, 48-51 mm (Max Load 20 Kg)
BC10011A045	Light Clamp Silver, 48-51 mm (Max 75 Kg)
BC10011A046	Light Clamp Black, 48-51 mm (Max 75 Kg)
BC10011A043	Clamp Silver Flat 13-30 mm/ø15-50 mm (Max 20 Kg)
BC10011A044	Clamp Black Flat 13-30 mm/ø15-50 mm (Max 20 Kg)
BC10011A100	Wireless Kit (LumenRadio)
BC10011A150	Pole Operated Yoke

Accessories for Profile Zoom 15°-35° and 25°-50°

BC10011A028	Donut (190.5 mm)
BC10011A027	Half Top Hat (190.5 mm)
BC10011A029	Top Hat (190.5 mm)
BC10011A040	Color Frame Holder (190.5 mm)

Accessories for Soft Profile Zoom (Fresnel, PC) and Profile Zoom 28°-40°

BC10011A036	Donut (185 mm)
BC10011A035	Half Top Hat (185 mm)
BC10011A037	Top Hat (185 mm)
ACO4204	Color Frame Holder (185 mm)

Accessories for Lens Tube

BC10011A032	Donut (159 mm)
BC10011A031	Half Top Hat (159 mm)
BC10011A033	Top Hat (159 mm)
BC10011A021	Color Frame Holder (159 mm)



LEDko FullSpectrum 2 + Rear Panel with the new OLED Display



LEDko FullSpectrum 2 + with Pole Operated Yoke

LEDko FullSpectrum 2 + Pole Operated Yoke/Rear Panel

DMX Charts

14 Channels

- 01 → Master Dimmer
- 02 → Red
- 03 → Green
- 04 → Blue
- 05 → Lime
- 06 → Strobe Effect
- 07 → Dimmer Fine
- 08 → Special Functions
- 09 → Red Tone
- 10 → Green Tone
- 11 → Blue Tone
- 12 → White Tone
- 13 → Green Saturation
- 14 → Saturation

8 Channels

- 01 → Master Dimmer
- 02 → Red
- 03 → Green
- 04 → Blue
- 05 → Lime
- 06 → Strobe Effect
- 07 → Dimmer Fine
- 08 → Special Functions

7 Channels

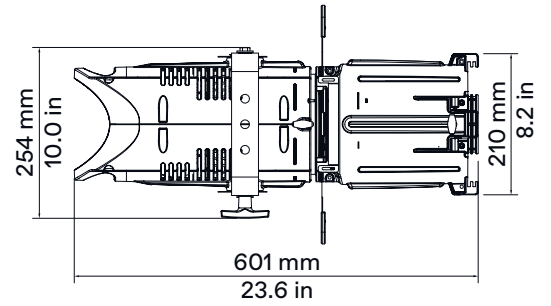
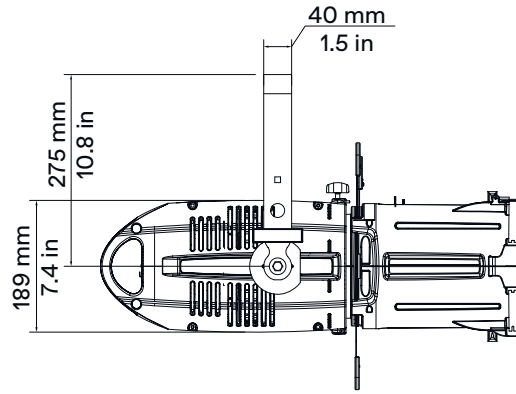
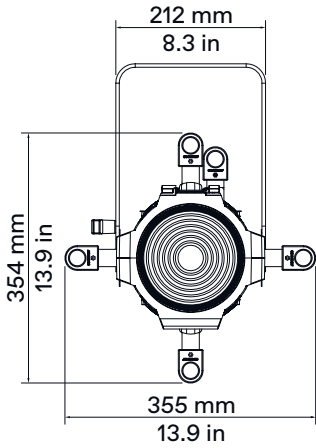
- 01 → Master Dimmer
- 02 → Color Temperature
- 03 → Green Saturation
- 04 → Saturation
- 05 → Hue
- 06 → Dimmer Fine
- 07 → Special Functions

4 Channels

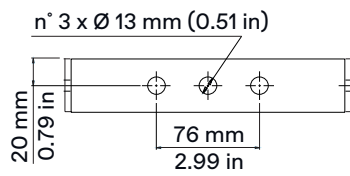
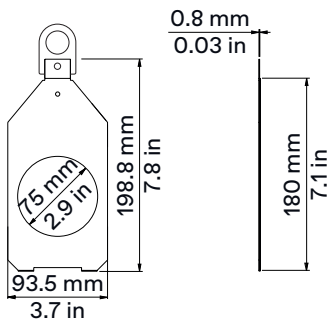
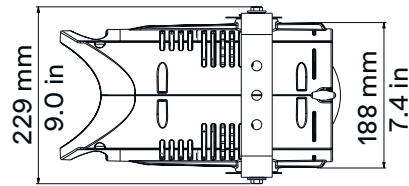
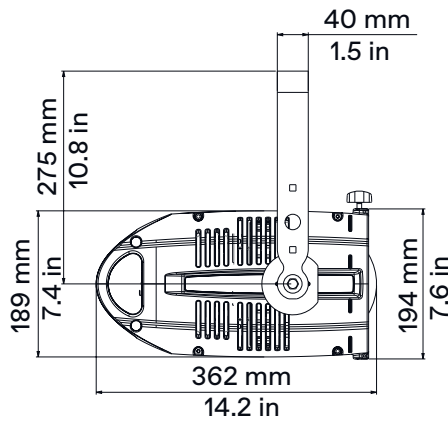
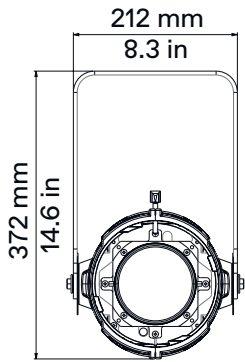
- 01 → Red
- 02 → Green
- 03 → Blue
- 04 → Lime

1 Channel

- 01 → Master Dimmer - Color Temperature Settable by Display



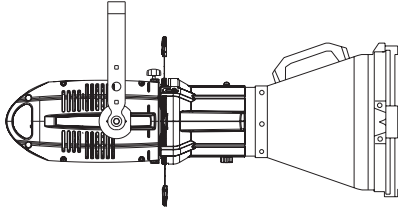
* with Profile Zoom 28°/40° optic

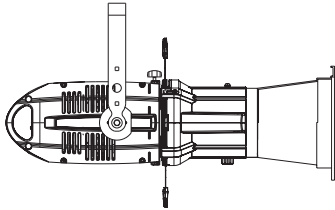


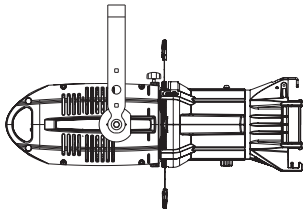
*Standard gobo holder

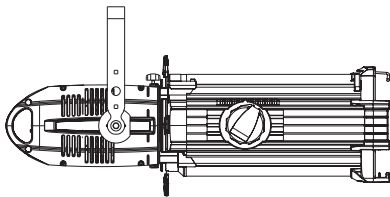
*Yoke

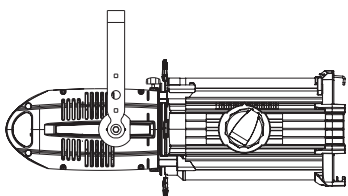
LEDko Optics dimensions and weight

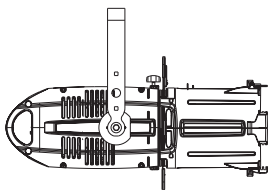
Product	Optics	Length	Weight
	Lens Tube Profile 10°	900 mm (35.4 in)	9 Kg (19.8 lbs)

Product	Optics	Length	Weight
	Lens Tube Profile 14°	750 mm (35.4 in)	9 Kg (19.8 lbs)
	Lens Tube Profile 70°	750 mm (35.4 in)	8.68 Kg (19.14 lbs)

Product	Optics	Length	Weight
	Lens Tube Profile 19°	670 mm (26.3 in)	9.15 Kg (20.17 lbs)
	Lens Tube Profile 26°	670 mm (26.3 in)	9.05 Kg (19.95 lbs)
	Lens Tube Profile 36°	670 mm (26.3 in)	9.35 Kg (20.60 lbs)
	Lens Tube Profile 50°	670 mm (26.3 in)	9.05 Kg (19.95 lbs)

Product	Optics	Length	Weight
	Profile Zoom 15°-35°	886 mm (34.9 in)	13.05 Kg (28.77 lbs)

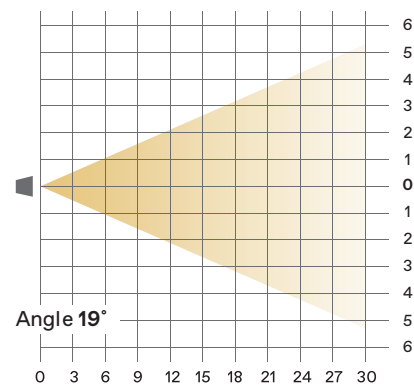
Product	Optics	Length	Weight
	Profile Zoom 25°-50°	783 mm (30.8 in)	11.2 Kg (24.69 lbs)

Product	Optics	Length	Weight
	Profile Zoom 28°-40°	601 mm (23.7 in)	8.3 Kg (18.3 lbs)
	Soft Profile Fresnel Zoom 14°-40°	601 mm (23.7 in)	7.75 Kg (17.09 lbs)
	Soft Profile PC Zoom 11°-38°	601 mm (23.7 in)	8.25 Kg (18.19 lbs)

LEDko FS2 RGBL- Lens Tube

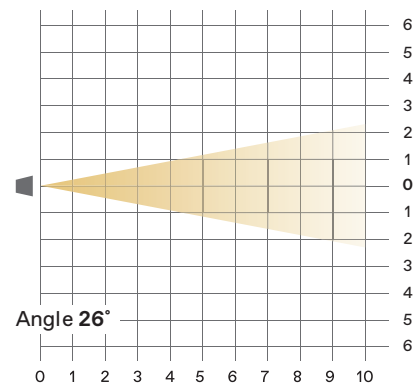
Optic: Lens Tube Profile 19°

Distance(m)		3	6	9	12	15	18	21	24	27	30
lux	RED	3.028	757	336	189	121	84	62	47	37	30
	GREEN	5.222	1.306	580	326	209	145	107	82	64	52
	BLUE	1.061	265	118	66	42	29	22	17	13	11
	LIME	7.333	1.833	815	458	293	204	150	115	91	73
	FULL	14.778	3.694	1.642	924	591	410	302	231	182	148
	3.200K	9.472	2.368	1.052	592	379	263	193	148	117	95
	5.600K	11.917	2.979	1.324	745	477	331	243	186	147	119
Diameter Ø (m)		1,00	2,01	3,01	4,02	5,02	6,02	7,03	8,03	9,04	10,4



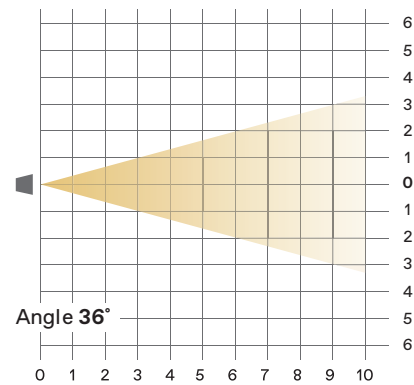
Optic: Lens Tube Profile 26°

Distance(m)		1	2	3	4	5	6	7	8	9	10
lux	RED	10.750	2.688	1.194	672	430	299	219	168	133	108
	GREEN	23.000	5.750	2.556	1.438	920	639	469	359	284	230
	BLUE	4.675	1.169	519	292	187	130	95	73	58	47
	LIME	32.750	8.188	3.639	2.047	1.310	910	910	668	512	404
	FULL	63.500	15.875	7.056	3.969	2.540	1.764	1.296	992	784	635
	3.200K	43.000	10.750	4.778	2.688	1.720	1.194	878	672	531	430
	5.600K	55.000	13.750	6.111	3.438	2.200	1.528	1.122	859	679	550
Diameter Ø (m)		0,46	0,92	1,39	1,85	2,31	2,77	3,23	3,69	4,16	4,62



Optic: Lens Tube Profile 36°

Distance(m)		1	2	3	4	5	6	7	8	9	10
lux	RED	5525	1381	614	345	221	153	113	86	68	55
	GREEN	11950	2988	1328	747	478	332	244	187	148	120
	BLUE	2500	625	278	156	100	69	51	39	31	25
	LIME	16.975	4244	1886	1061	679	472	346	265	210	170
	FULL	32500	8125	3611	2031	1300	903	663	508	401	325
	3.200K	22300	5575	2478	1394	892	619	455	348	275	223
	5.600K	28250	7063	3139	1766	1130	785	577	441	349	283
Diameter Ø (m)		0,65	1,30	1,95	2,60	3,25	3,90	4,55	5,20	5,85	6,50



● Coemar Lighting S.r.l.

Via Carpenedolo, 90
46043, Castiglione delle Stiviere (MN) – Italy

P. +39 0376 1514412
M1. info@coemar.com
M2. service@coemar.com
W. coemar.com

P.iva – C.f. 02415330204

