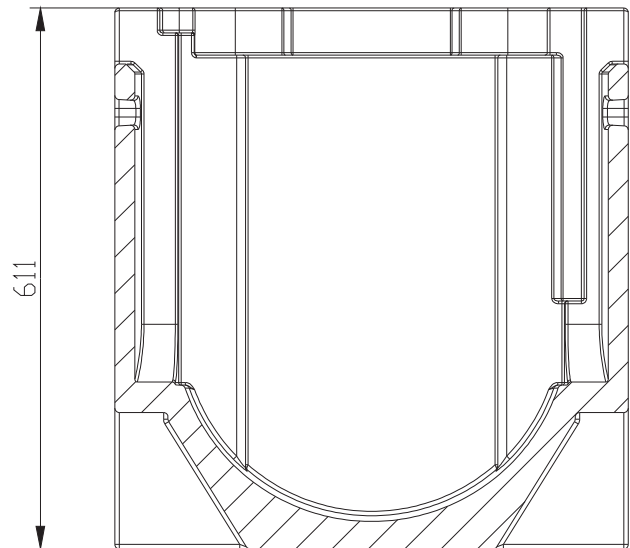
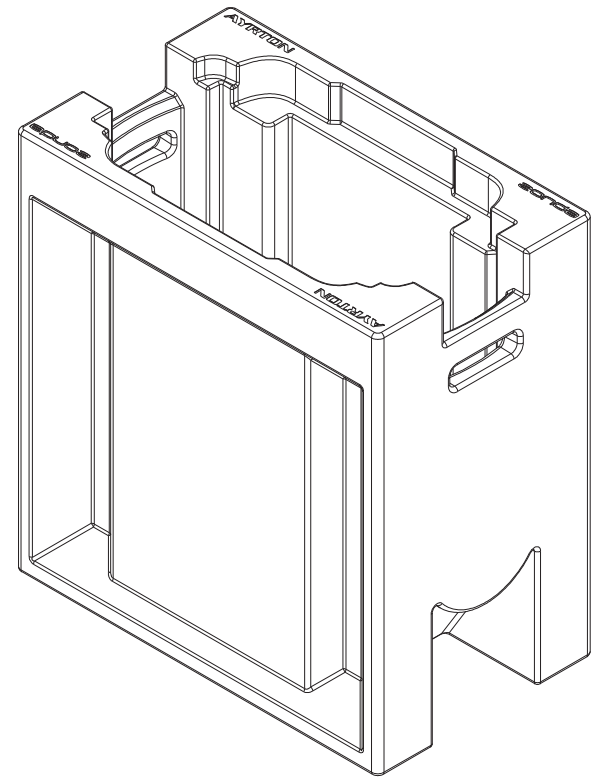
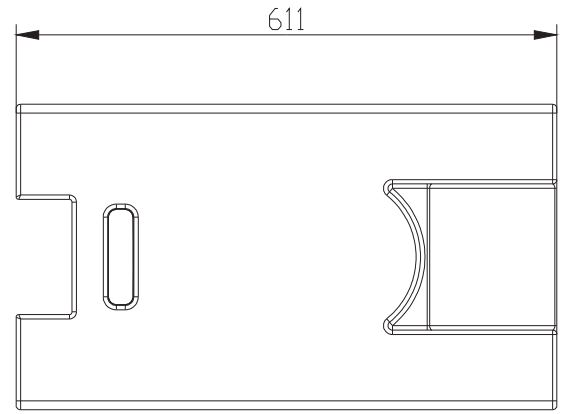
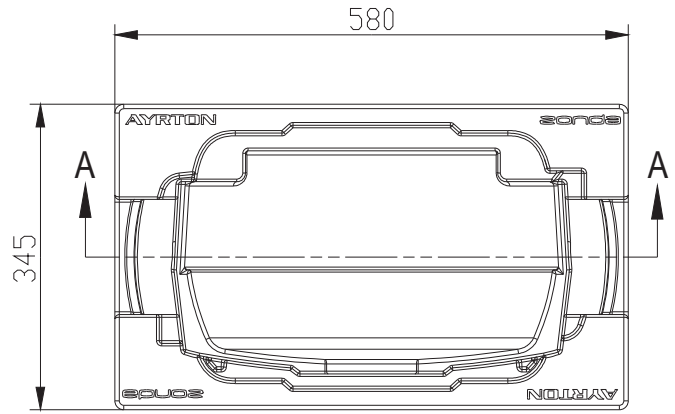




| | |
|----------------------------------|---------|
| Dimension tolerance (millimetre) | Version |
| ± 5 | 1.0 |



Section:A-A

| | | | | | |
|--------------|------|-----------------|----------------|--|---|
| | | | | | |
| Indice | Date | Created by | Modification : | Approved on | Approved by |
| Logiciel : | | Observation : - | | | |
| Project: A86 | | | Project Name : | Code: |  www.ayrton.eu |
| A4 | | | | Scale: 1/8  | |
| | | | | Material: | |