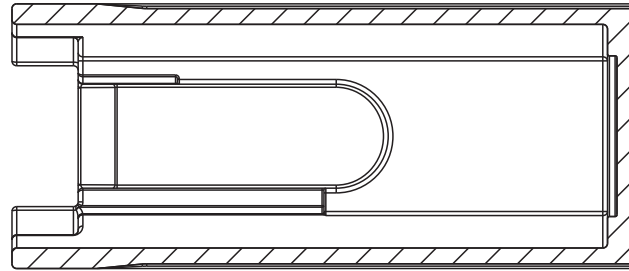
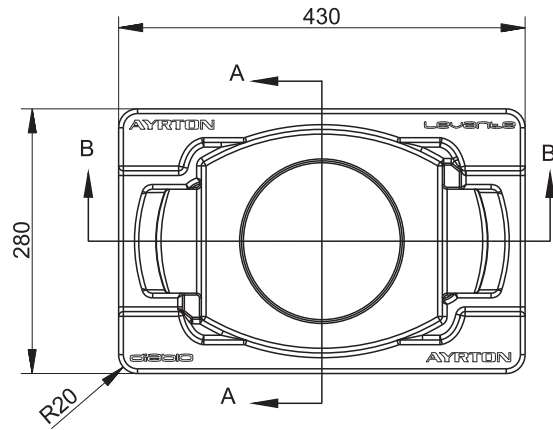
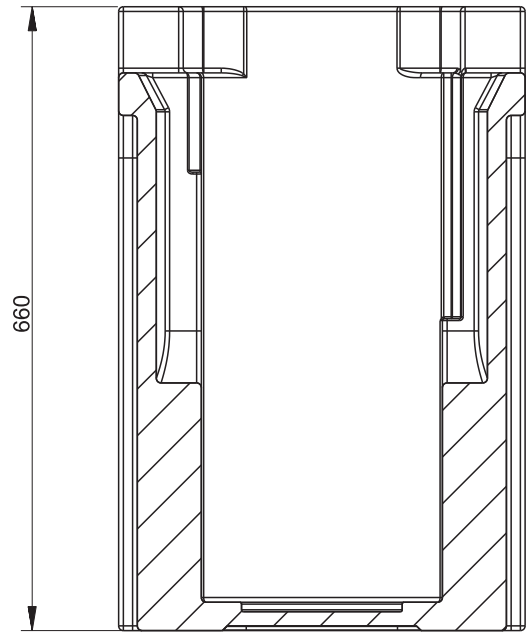
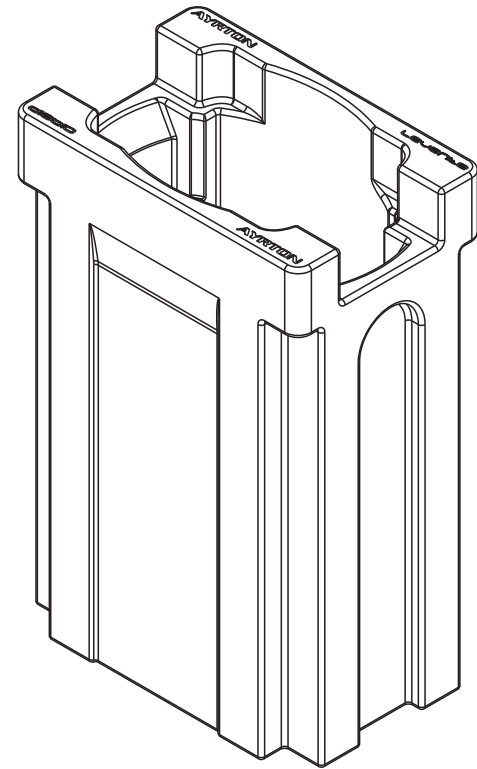



Dimension tolerance (millimetre)	Version
± 5	1.0



Section: A-A



Section: B-B

A		RL	CREATION	—	—
Indice	Date	Created by	Modification :	Approved on	Approved by
Logiciel :		Observation : -			
Project : A87S/A87TC/A82S		Project Name :		Code:	
A4				Scale: 1/4	
				Material:	