



# DATASHEET

# BRICK | TILT

Compatible with:  
PB15 PixelBrick

Date: 01/28/21 Version: 1.0



Connect 2 PixelBricks, tilt them to spread their beam and to create shapes.

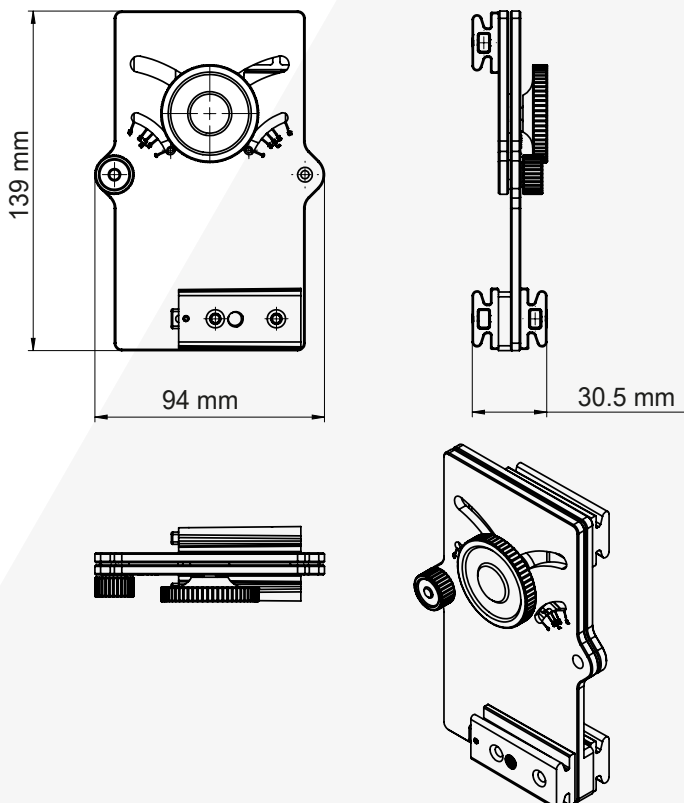
## BrickTilt on PixelBrick



## SPECIFICATIONS

Order Code Holder	PB15-BTLT
Dimensions (mm/inch)	94 x 139 x 30.5 / 3.7 x 5.5 x 1.2
Weight (kg/lbs)	0.27 / 0.59
Material	Aluminium

## DRAWINGS



## USE CASES

Tilt the angle of the PixelBrick outward or inward



Build creative shapes

